

## EBM15

### Unsinkable

Our elastomer buoys EBM15 are particularly designed for both sheltered and open-sea waters, since they are able to hold heavy moorings. Thanks to its solid construction, they are virtually unsinkable, even against a strong impact. Besides, they can withstand repeated collisions without deforming.

### High elasticity & lightweight float

Its main advantage lies in its float, of high elasticity and lightweight, manufactured with closed-cell polyethylene solid foam sheet (no water absorption) and with a coloured polyurethane elastomer coat.

### Long service life

The tail of the buoy is made from hot-dip galvanized steel, and designed to have a long service life under harsh marine conditions. The top structure of the buoy can be made from different materials and heights according to client's request.



Region A



Region A

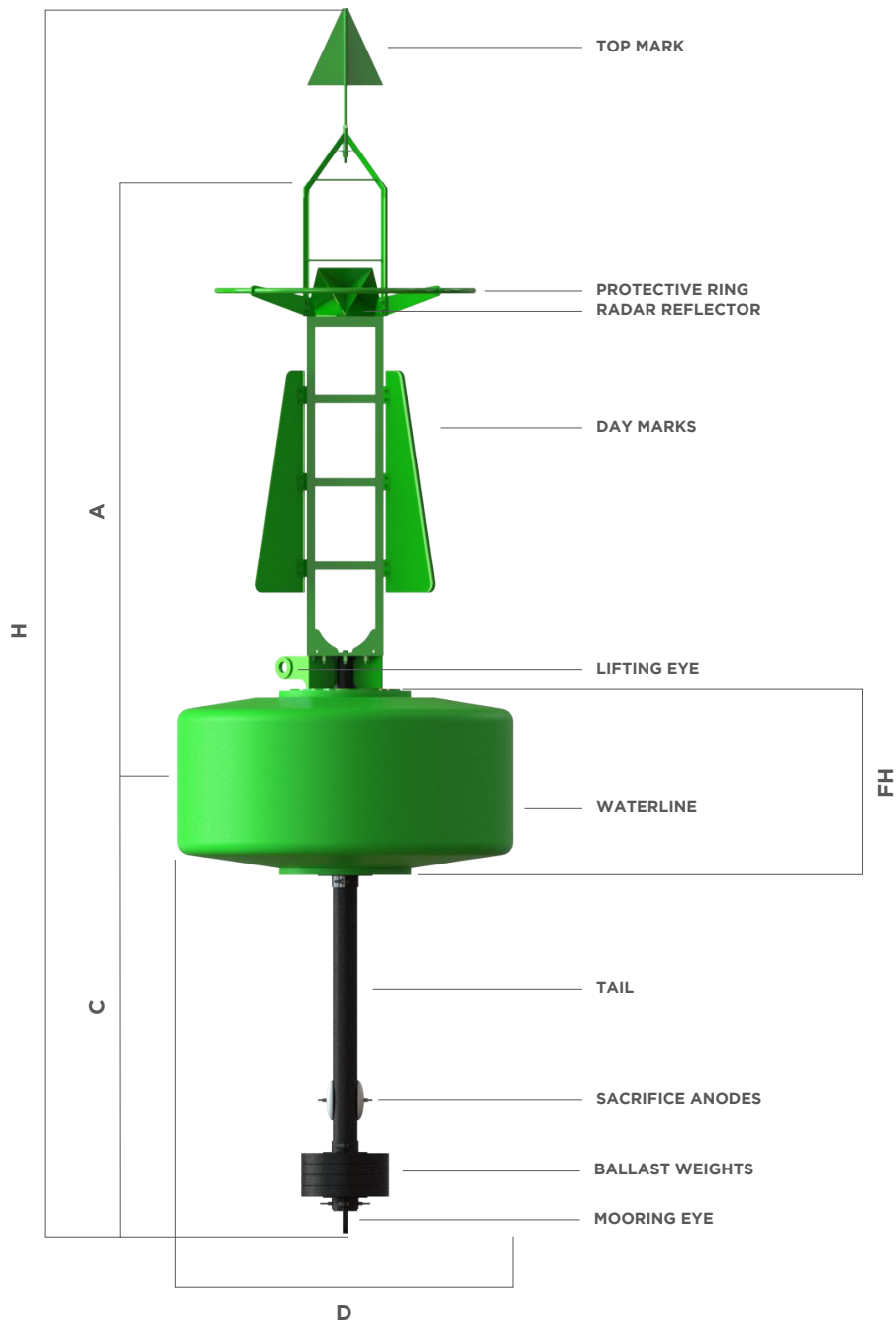
## FEATURES

- Float manufactured with closed-cell polyethylene foam sheet (no water absorption) and with a coloured polyurethane elastomer coat.
- Average operation lifetime over 20 years.
- Chromaticity according to IALA Recommendation.
- Detachable ballast weights for installation in different depths and with different chain sizes.
- Superstructure and tail available in different materials, heights and types depending on the conditions of the installation site.
- Ready to fit self-contained lanterns.
- High resistance to corrosion and UV rays.
- Passive radar reflector of 8 m<sup>2</sup> RCS.
- Minimum maintenance.
- Manufactured with recyclable materials.
- Designed according to IALA Recommendations.

# EBM15

	(D) Float diameter	(A) Focal Height	(FH) Float Height	(C) Draft	(H) Total height	Float Volume	Total weight	Max. chain
<b>EBM15</b>	1.5 m	2.7 m	0.83 m	1.9 m	5.5 m	1.3 m <sup>3</sup>	467 kg	550 kg
<b>EBM15F</b>	1.5 m	2.7 m	0.83 m	1 m	4.5 m	1.3 m <sup>3</sup>	532 kg	440 kg
<b>EBM15HV</b>	1.5 m	2.7 m	0.83 m	1.9 m	5.6 m	1.3 m <sup>3</sup>	435 kg	565 kg

*\*Other volumes and heights available under request.*



Region A

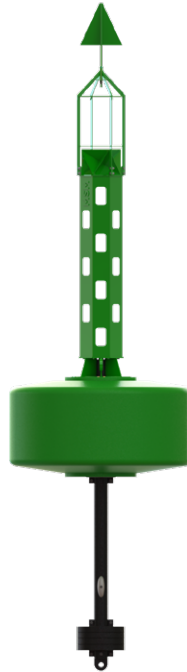
# EBM15

## Versions

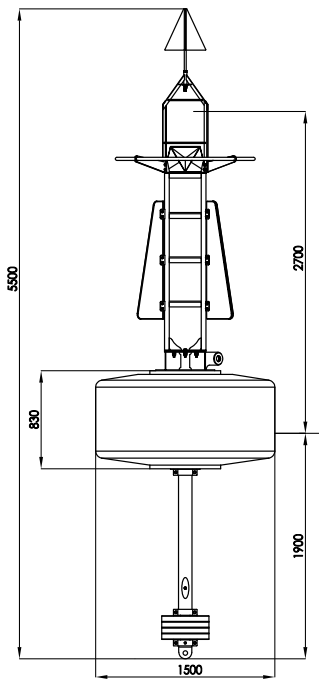
EBM15



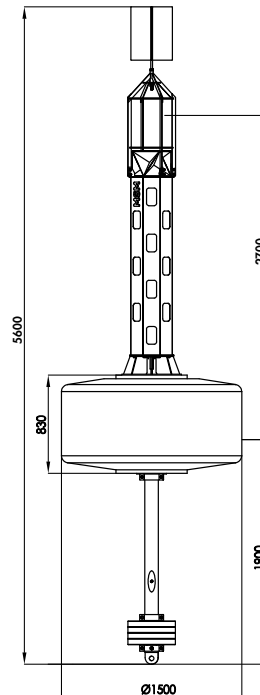
EBM15HV



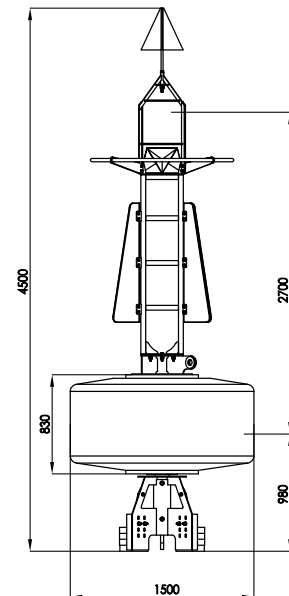
EBM15F



Region A



Region A



Region A

# EBM15

## Superstructure

<b>Material:</b>	Hot-dip galvanized steel. (EBM15, EBM15F). AISI 304 stainless-steel (EBM15HV).
<b>Coating:</b>	UV- and corrosion-resistant polyurethane paint.
<b>Day mark:</b>	GRP.
<b>Top mark:</b>	According to IALA Recommendation.
<b>Radar Reflector:</b>	8 m <sup>2</sup> (X band).
<b>Solar modules capacity:</b>	Up to 4 nos. solar modules of 20 W (maximum).
<b>Batteries capacity:</b>	Up to 40 Ah, in watertight cabinet with safety lock.
<b>Lifting eyes:</b>	1 no.
<b>Hardware:</b>	Stainless-steel.

## Float


<b>Diameter:</b>	1.5 meters.
<b>Material:</b>	Closed-cell polyethylene foam sheet.
<b>Coating:</b>	Coloured polyurethane elastomer coat, UV resistant.
<b>Top surface:</b>	Anti-sliding.

## Tail

<b>Material:</b>	Hot-dip galvanized steel.
<b>Ballast weights:</b>	Treated steel, detachable.
<b>Mooring eye:</b>	1 no.
<b>Protection:</b>	Sacrifice anodes.

## Options

- Superstructure made from stainless-steel or marine aluminium.
- High-visibility day marks.
- Passive radar reflector available up to 36 m<sup>2</sup> RCS.
- Active radar reflector.
- Cast-iron ballast weights.
- Other requirements available under request.

 Specifications subject to change without previous notice.

