



MBL120

Excellent optical efficiency

The MBL120 is a LED marine flashing lantern of short range, with a great optical efficiency and low consumption, fitted with LED diodes of high intensity, reaching a maximum range of 9 nautical miles.

Low consumption

Ideal for on- and off-shore solar beaconing applications requiring a low consumption, such as channels, harbour entrances, jetties, piers, buoys, structures, fish farms, etc.

Long service life

Its luminous source consists of an innovating lens system especially designed to take the maximum profit of LED diodes. Manufactured with high-quality and resistant materials, the MBL120 provides a long service life under harsh marine conditions.

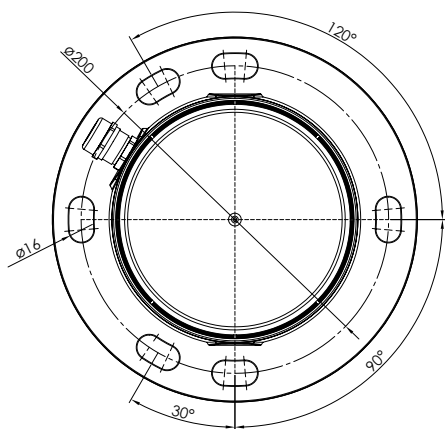
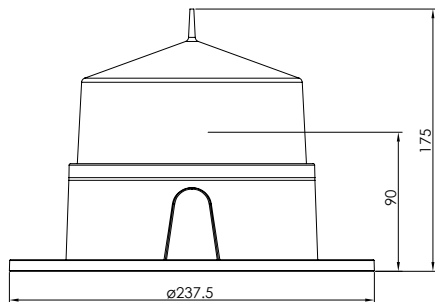
Designed according to IALA Recommendations.



FEATURES

- *High-efficiency luminous system.*
Up to 9 nm ($T=0.74$), 13 nm ($T=0.85$).
- *360° horizontal output.*
- *Average operation lifetime over 10 years.*
- *Internal photocell adjustable in lux.*
- *IP 68 watertightness degree (immersion resistant).*
- *Linear adjustment of luminous intensity.*
- *Double RS-232 serial port for setting adjustments by PC and remote monitoring system.*
- *Programming, configuration and operating status via PC or IR programmer as an option.*
- *Optional GPS synchronization.*
- *Short-circuit, reverse-polarity and transient over-voltage protections.*
- *PATENTED OPTICAL SYSTEM.*

MBL120



Technical Features

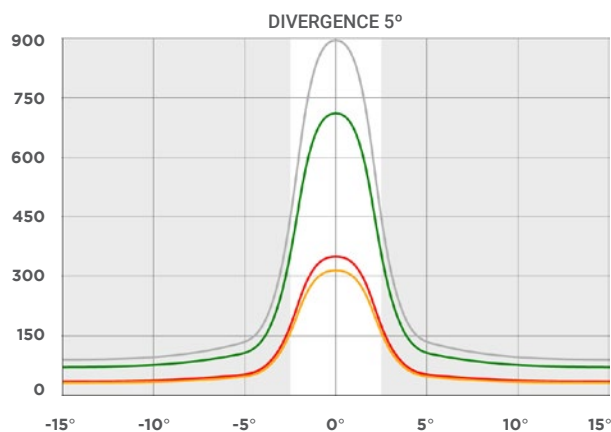
Light source:	3 to 6 nos. ultra-bright LED diodes, with high-precision acrylic lens.
Luminous range:	Up to 9 nm (T=0.74) 13 nm (T=0.85).
Vertical divergence:	From 5° to 12° (50% I ₀).
LED average life:	More than 100.000 hours.
Power supply:	From 9 to 36 V.
Lantern consumption:	From 6 to 12 W.
Flash rhythms:	256 (6 nos. user selectable).
Base:	Glass-fibre reinforced polyamide PA66-GF30.
Lens cover:	Polycarbonate, UV stabilised.
Watertightness degree:	IP 68.
Programming:	PC or IR programmer as an option.

Options

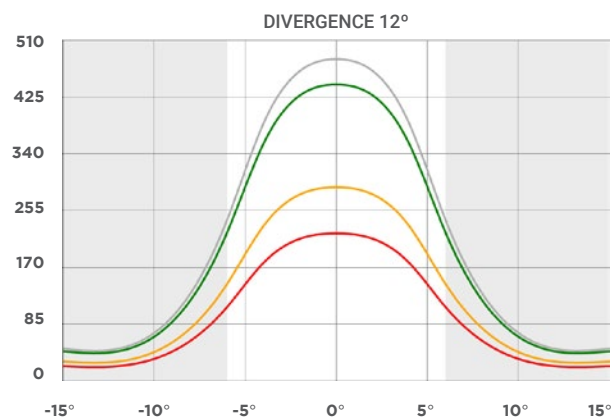
- PC programming kit.
- Other specifications available under request.
- MBL120-SYNC (GPS synchronization).

Peak intensities (Cd)

- 895 Cd
- 711 Cd
- 315 Cd
- 350 Cd



- 482 Cd
- 444 Cd
- 290 Cd
- 221 Cd



! Specifications subject to change without previous notice.