



MBL360

High optical performance

The MBL360 is a short- and medium-range LED marine lantern, equipped with precision optics and high-intensity LEDs capable of reaching up to 11 nautical miles. Its optical design ensures an optimized light distribution for clear and accurate signal identification, even under adverse maritime conditions.

Low power consumption

Manufactured with materials resistant to the marine environment, the MBL360 guarantees reliable operation in demanding conditions while reducing maintenance requirements. Its low power consumption and durability make this lantern an ideal solution for fixed and floating installations at port entrances, piers, channels, buoys, platforms, and other marine structures.

Multiple remote monitoring options

The MBL360 offers multiple remote monitoring and control options to suit customer needs: GSM, UHF, SAT, IoT, AIS, and MODBUS. Its compact and modular design ensures compatibility with the 360 lanterns range, facilitating equipment standardization in the field.



FEATURES

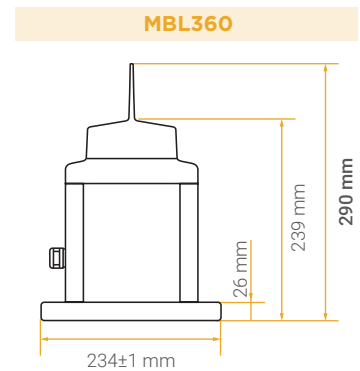
- High-efficiency luminous system. Up to 11 nm ($T=0.74$).
- Vertical divergence up to 10° ($50\% I_0$).
- Integrated OLED display.
- Average operation lifetime over 10 years.
- Ideal for energy demanding applications.
- IP 68 watertightness degree (immersion resistant).
- Programming, configuration and operating status via PC (RS-232 serial port), Bluetooth or IR programmer.
- Ready for remote monitoring and control via GSM, UHF, satellite, IoT, AIS AtoN, or MODBUS.
- GPS synchronization system included as standard.
- Designed according to IALA Recommendations.

MBL360

Technical features

Light source:	Ultra-bright LED diodes, with high-precision acrylic lenses.
Light range:	Up to 11 nm (T=0.74).
Colour:	Red, green, yellow or white.
Vertical Divergence:	5°, 8° and 10°.
LED average life:	More than 100,000 hours.
Power supply:	12 - 24 V DC.
Power consumption:	Up to 20 W.
Flash rhythms:	256 rhythms (6 nos. user selectable).
Base:	Polyamide PA66-GF30.
Lens cover:	UV stabilised Polycarbonate. Integrated bird spike.
Chasis:	Anodised marine aluminium.
Temperature range:	-20 to 70°C.
Watertightness degree:	IP68.
Fixings:	Standard (4 - 3 bolts in a 200 mm diameter).
Programming:	PC, Bluetooth, or IR programmer.

Dimensions



Options

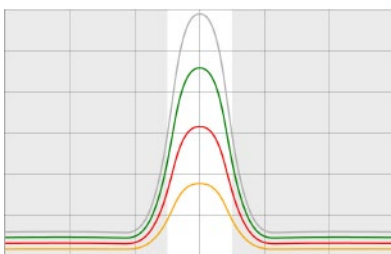
- Remote control: GSM, UHF, satellite, IoT, AIS and/or Modbus.
- RS-232, RS-422 or RS-485 (Modbus) external serial port.
- Blue colour available.
- Tool kit.
- Spare parts kit.
- Fixing screws available.
- Other fixings available.
- Other specifications available under request.



Peak Intensities (Cd)

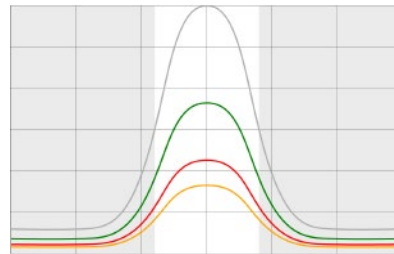
MBL360 | Up to 11 NM

DIVERGENCE 5°



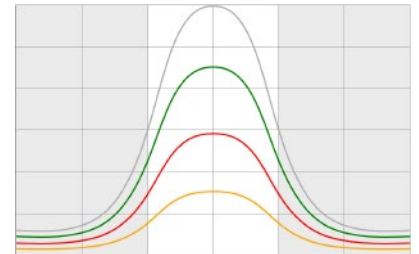
█ 2210 Cd █ 664 Cd
█ 1718 Cd █ 1183 Cd

DIVERGENCE 8°



█ 1858 Cd █ 513 Cd
█ 1130 Cd █ 701 Cd

DIVERGENCE 10°



█ 1256 Cd █ 321 Cd
█ 948 Cd █ 613 Cd

! Specifications subject to change without previous notice.
 Luminous ranges will be affected depending on latitude, flash rhythms and chosen options.

