

## MBL400C

### Excellent optical efficiency

The MBL400C is a medium-range LED flashing lantern, with a great optical efficiency, providing light beams with high accuracy. Its luminous source consists of high-intensity LED diodes, obtaining a maximum range of 17,3 nautical miles.

### Minimal maintenance

Intended to be placed in on-shore aids-to-navigation locations, such as poles and towers, requiring a minimal maintenance, as well as hard-to-reach sites or under extreme environmental conditions.

### High-accuracy lens

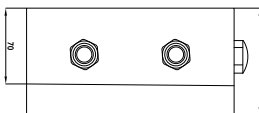
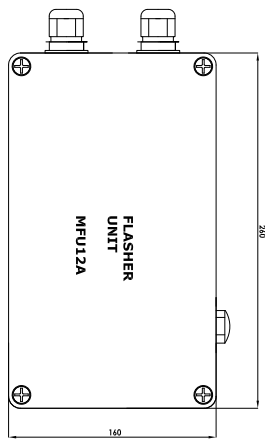
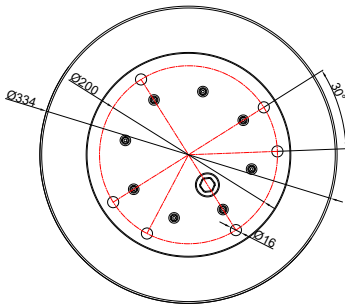
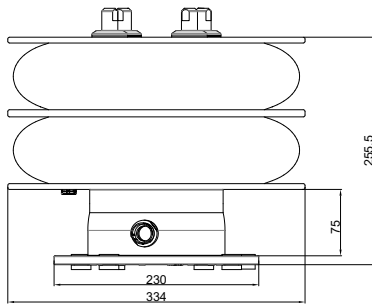
Equipped with a high precision lens made of UV resistant acrylic and protected by an impact resistant tempered glass lens cover. Manufactured with high-quality and resistant materials, the MBL400C provides a long service life under harsh marine conditions.



## FEATURES

- *State-of-the-art LED technology.*
- *High-efficiency luminous system.*  
Up to 17,3 nm ( $T=0.74$ ), 26 nm ( $T=0.85$ ).
- *Vertical divergence 2° (50%  $I_0$ ).*
- *Circular acrylic lens UV stabilized.*
- *Average operation lifetime over 15 years.*
- *Photocell adjustable in lux.*
- *IP 67 watertightness degree (immersion resistant).*
- *Linear adjustment of luminous intensity.*
- *Double RS-232 serial port for setting adjustments by PC and remote monitoring system.*
- *Programming, configuration and operating status via PC, IR programmer or Bluetooth.*
- *Short-circuit, reverse-polarity, over-temperature and transient over-voltage protections.*

# MBL400C



External control unit required for the following options: MBL400C-TG, MBL400C-TR, MBL400C-TS and MBL400C-AIS.

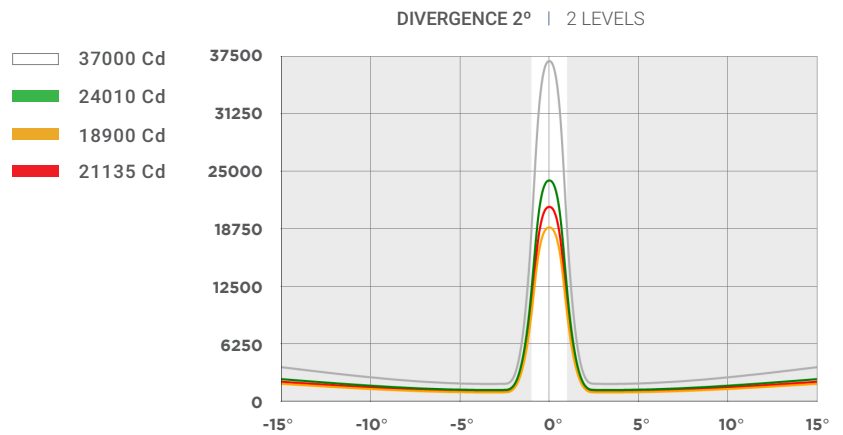
## Technical Features

<b>Light source:</b>	36 nos. ultra-bright LED diodes, distributed circularly (360°) in up to two levels.
<b>Luminous range:</b>	Up to 17,3 nm (T=0.74) 26 nm (T=0.85).
<b>Vertical divergence:</b>	2° (50% I <sub>0</sub> ).
<b>LED average life:</b>	More than 100.000 hours.
<b>Power supply:</b>	From 10 to 36 V.
<b>Lantern consumption:</b>	48 W per level.
<b>Flash rhythms:</b>	256 (6 nos. user selectable).
<b>Base:</b>	Hard anodized aluminium.
<b>Watertightness degree:</b>	IP 67.
<b>Programming:</b>	PC, Bluetooth, or IR programmer.

## Options

- Removable AISI 316 stainless steel bird deterrent.
- PC programming kit.
- RS-485 MODBUS serial port.
- Other specifications available under request.
- MBL400C-SYNC (GPS synchronisation).
- MBL400C-TG (GSM remote monitoring).
- MBL400C-TR (Radio remote monitoring).
- MBL400C-TS (Satellite remote monitoring).
- MBL400C-AIS (AIS AtoN).

## Peak intensities (Cd)



Specifications subject to change without previous notice.



Mediterráneo Señales Marítimas, S.L. / ☎ +34 96 276 10 22 / ✉ msm@mesemar.com / 🌐 www.mesemar.com

