

## MBL400S

### Excellent optical efficiency

The MBL400S is a medium-range omnidirectional LED sector flashing light (ODSL), with a great optical efficiency, providing sectorized light beams with an accuracy of up to 0.5°. Its luminous source consists of high-intensity LED diodes, obtaining a maximum range of 12 nautical miles.

### Minimal maintenance

Intended to be placed in on-shore aids-to-navigation locations, such as poles and towers, as well as hard-to-reach sites or under extreme environmental conditions.

### Effective sectorisation

Its optical system utilises the point light source of the lens to make an effective sectorisation in each case. Every sector requires an individual light level, which enables practically any sector configuration.

Each omnidirectional lantern is customized considering range, colours and sectors required.

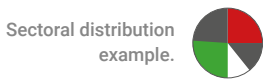
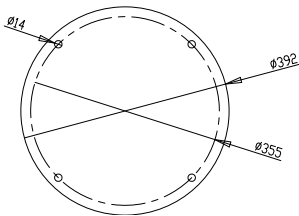
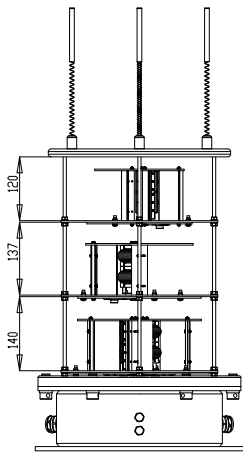
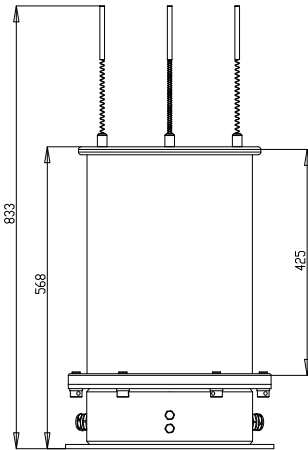
Designed according to IALA Recommendations.



## FEATURES

- State-of-the-art LED technology.
- High-efficiency luminous system.  
Up to 12 nm ( $T=0.74$ ).
- Vertical divergence 5°, 8° & 10° (50%  $I_0$ ).
- Configurable sectors.
- Field-diaphragm sectorisation, made to measure for each case.
- Average operation lifetime over 15 years.
- IP 67 watertightness degree (immersion resistant).
- Programming, configuration and operating status via PC, Bluetooth or IR programmer.
- Short-circuit, reverse-polarity and transient over-voltage protections.
- High shock resistance.
- Anti-humidity device to avoid condensation.
- PATENTED OPTICAL SYSTEM.

# MBL400S



## Technical Features

<b>Light source:</b>	Ultra-bright LED diodes, with high-precision acrylic lens.
<b>Luminous range:</b>	Up to 12 nm (T=0.74).
<b>Vertical divergence:</b>	5°, 8° & 10° (50% I <sub>0</sub> ).
<b>LED average life:</b>	More than 100.000 hours.
<b>Power supply:</b>	From 9 to 36 V.
<b>Flash rhythms:</b>	256 (6 nos. user selectable).
<b>Base:</b>	Marine grade aluminium with polyurethane finishing.
<b>Lens cover:</b>	Tempered glass, UV stabilised.
<b>Watertightness degree:</b>	IP 67.
<b>Programming:</b>	PC, Bluetooth or IR programmer.

## Options

- PC programming kit.
- RS-485 MODBUS serial port.
- Other specifications available under request.
- MBL400S-SYNC (GPS synchronisation).
- MBL400S-TG (GSM remote monitoring).
- MBL400S-TR (Radio remote monitoring).
- MBL400S-TS (Satellite remote monitoring).
- MBL400S-AIS (AIS AtoN).

## Peak intensities (Cd)

COLOUR	5°			8°			10°		
	White	Green	Red	White	Green	Red	White	Green	Red
PEAK INTENSITY	3650 Cd	2714 Cd	1764 Cd	2726 Cd	1796 Cd	1096 Cd	2454 Cd	1534 Cd	918 Cd

The intensity of the beacon will depend on the configuration and amplitude of the sectors that are needed. Each case is individually studied, configured and optimized.

Dimensions depending on configuration of sectors and intensity.

**!** Specifications subject to change without previous notice.