


MARINE STEEL

STRUCTURE


ELAST.

FLOAT

MBM

Wide range of applications

MBM Mooring Buoys are especially designed for mooring a wide variety of vessels, however they can be used for a wide range of applications such as off-shore prospecting platforms, fuel hose holders, weather stations support, etc.

Unsinkable

Thanks to their elastomer float, they are virtually unsinkable, even against a strong impact. The manufacture process is the same than the one used for vessel mooring fenders in ports, ready to withstand repeated collisions without deforming.

Optional self-contained signal lantern

A self-contained signal lantern is integrated inside the buoy structure, thus avoiding possible shocks during mooring works.

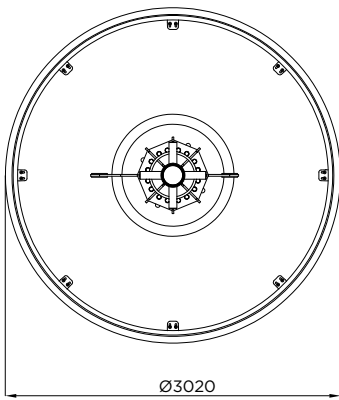
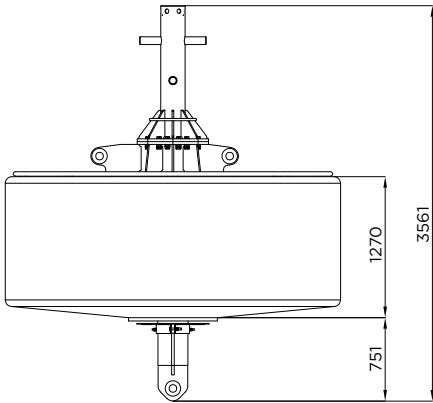
Designed according to IALA Recommendations.



FEATURES

- *High shock resistance float manufactured with closed-cell polyethylene foam sheet (no water absorption) and with a coloured polyurethane elastomer coat.*
- *Metallic structure for chain and mooring fixings made from marine steel.*
- *High mooring capacity, up to 150 tones.*
- *Anti-sliding top float surface, to increase security during mooring and maintenance works.*
- *Under customer request, buoys can be supplied with quick-release hook.*
- *Protections against abrasion located on the float top and bottom, from stainless steel.*
- *The optional self-contained lantern, with a vertical divergence up to 15°, is visible at a long distance, even when the buoy is tilted as result of the efforts from a vessel.*
- *Stainless-steel hardware.*
- *Minimum maintenance.*
- *Designed according to IALA Recommendations.*

MBM



MBM30 example

Top mooring structure

Material:	Marine steel.
Coating:	80 microns hot-dip galvanized. 1 especial primer coat for galvanized surfaces. 2 nos. 80 microns each polyurethane finishing, UV and corrosion resistant.
Lifting eyes:	2 nos.
Hardware:	Stainless steel.

Float

Diameter:	From 0.8 to 3.6 meters.
Material:	Closed-cell polyethylene foam sheet.
Coating:	Coloured polyurethane elastomer coat, anti-UV.
Protection:	AISI 316 stainless-steel cable eye ring.

Tail

Material:	Hot-dip galvanized steel.
Mooring eyes:	1 no.
Protection:	Sacrifice anodes.

Optional self-contained lantern

Light source:	Ultra-bright LED diode, with high-precision acrylic lens.
Luminous range:	Up to 3 nm (T=0.74) 4 nm (T=0.85).
Colour:	Amber.
Vertical divergence:	Higher or equal to 15° (50% I ₀).
LED average life:	More than 100,000 hours.

Options

- Stainless-steel superstructure.
- Quick-release hooks up to 150 tones (MBM30 version or larger versions)
- Other mooring capacities available under request.
- Integrated self-contained lantern.

MBM

	Float diameter (*)	Float volume (*)	Float height	Total weight	Chain capacity	Mooring capacity
MBM08	0.8 m	0.45 m ²	0.85 m	106 kg	175 kg	8 Ton
MBM15	1.5 m	2 m ²	1.27 m	900 kg	550 kg	20 Ton
MBM24	2.4 m	5.1 m ²	1.27 m	1,100 kg	2,000 kg	40 Ton
MBM30	3.0 m	8.6 m ²	1.27 m	1,275 kg	3,500 kg	100 Ton
MBM36	3.6 m	12.4 m ²	1.27 m	1,500 kg	5,500 kg	150 Ton

*Other dimensions available under request.

Specifications subject to change without previous notice.

