



MCL100

Excellent optical system performance

The MCL100 is a mini LED marine lantern, solar self-contained, which uses one only high-power LED, giving a nominal range up to 5 nautical miles. It is characterized by its excellent optical system performance, minimizing consumption and offering a large autonomy.

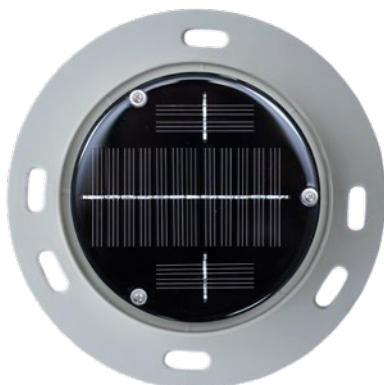
Low consumption

Ideal for short-range beaconing applications, on- and off-shore, requiring a low consumption, such as jetties, piers, buoys, fish farms, etc.

Replaceable battery

The battery is replaceable, thus the complete lantern disposal is not necessary at the end of battery's life. Standard fixings allow for a quick lantern replacement.

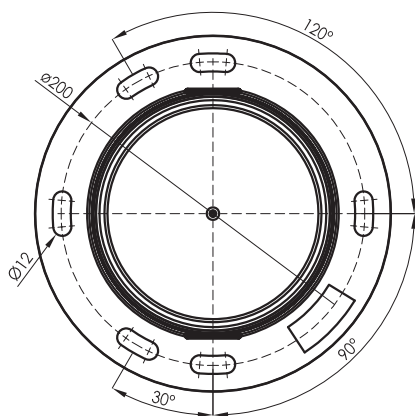
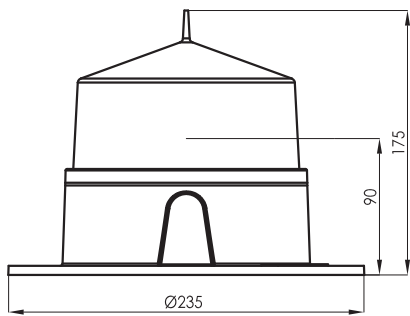
Designed according to IALA Recommendations.



FEATURES

- *High-efficiency luminous system.*
Up to 5 nm ($T=0.74$), 7 nm ($T=0.85$).
- *Vertical divergence up to 15° (50% I_0).*
- *360° horizontal output.*
- *Average operation lifetime over 10 years.*
- *The battery can be easily replaced.*
- *IP 68 watertightness degree (immersion resistant).*
- *High shock resistance.*
- *Anti-humidity device in order to avoid condensation.*
- *Autonomy without solar charging up to 250 hours.*
- *Automatic energy management, according to solar radiation.*
- *Programming, configuration and operating status via PC, Bluetooth or IR programmer.*
- *GPS synchronization module included as standard.*

MCL100



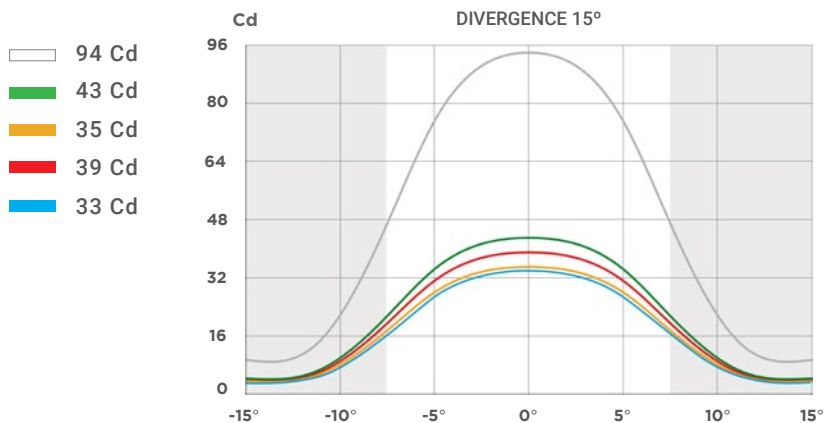
Technical Features

Light source:	Ultra-bright LED diode, with high-precision acrylic lens.
LED average life:	More than 100,000 hours.
Flash rhythms:	256 rhythms (6 nos. user selectable).
Solar module:	1 no. of 1W.
Battery:	4.8 Ah, Lead Crystal®, maintenance-free.
Base:	Glass-fibre reinforced polyamide PA66-GF30.
Lens cover:	UV stabilized polycarbonate.
Watertightness degree:	IP 68.

Options

- PC programming kit.
- Antivandal screws kit.
- Other specifications available under request.

Peak intensities (Cd)



Specifications subject to change without previous notice.

Luminous ranges will be affected depending on latitude, flash rhythms and chosen options.