



## MCL120

### Excellent optical system performance

The MCL120 is a mini LED marine lantern, solar self-contained, which uses high-power LEDs, giving a nominal range up to 7 nautical miles. It is characterized by its excellent optical system performance, minimising consumption and offering a large autonomy.

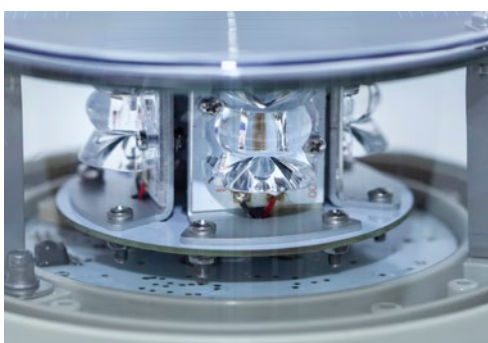
### Low consumption

Ideal for short-medium-range beaconing applications, on- and off-shore, requiring a low consumption, such as jetties, piers, buoys, fish farms, etc.

### Replaceable battery

The battery is replaceable, thus the complete lantern disposal is not necessary at the end of battery's life. Standard fixings allow for a quick lantern replacement.

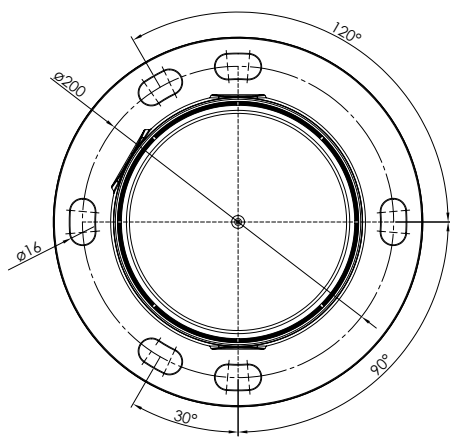
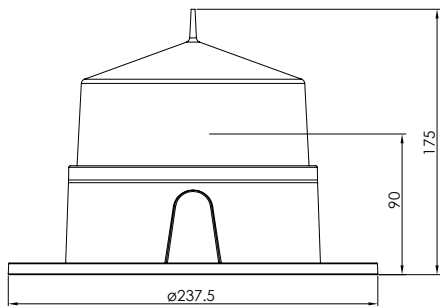
Designed according to IALA Recommendations.



## FEATURES

- *High-efficiency luminous system.*  
Up to 7 nm ( $T=0.74$ ), 8 nm ( $T=0.85$ ).
- *Vertical divergence up to 12° (50%  $I_0$ ).*
- *360° horizontal output.*
- *Average operation lifetime over 10 years.*
- *The battery can be easily replaced.*
- *IP 68 watertightness degree (immersion resistant).*
- *High shock resistance.*
- *Anti-humidity device in order to avoid condensation.*
- *Autonomy without solar charging up to 250 hours.*
- *Automatic energy management, according to solar radiation.*
- *Programming, configuration and operating status via PC, Bluetooth or IR programmer.*
- *GPS synchronization module included as standard.*

# MCL120



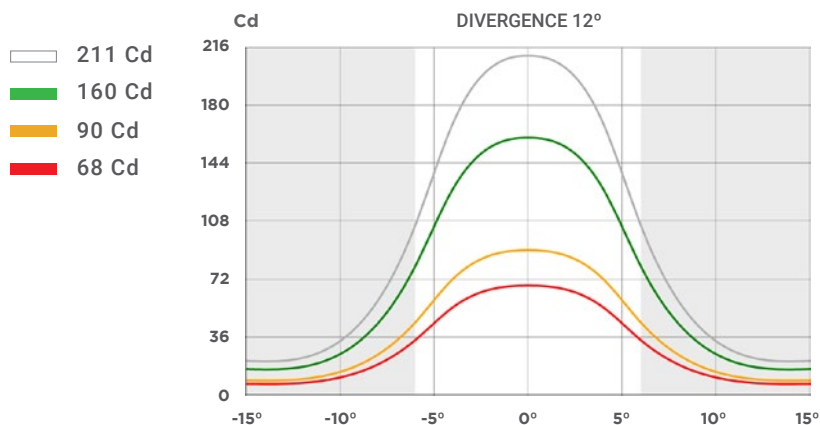
## Technical Features

<b>Light source:</b>	Ultra-bright LED diodes, with high-precision acrylic lenses.
<b>LED average life:</b>	More than 100,000 hours.
<b>Flash rhythms:</b>	256 rhythms (6 nos. user selectable).
<b>Solar module:</b>	1 no. of 1 W.
<b>Battery:</b>	4.8 Ah, Lead Crystal®, maintenance-free.
<b>Base:</b>	Glass-fibre reinforced polyamide PA66-GF30.
<b>Lens cover:</b>	UV stabilized polycarbonate.
<b>Watertightness degree:</b>	IP 68.

## Options

- PC programming kit.
- Antivandal screws kit.
- Other specifications available under request.

## Peak intensities (Cd)



Specifications subject to change without previous notice.

Luminous ranges will be affected depending on latitude, flash rhythms and chosen options.