



MCL180

Great optical efficiency

The MCL180 is a compact LED marine lantern, solar self-contained, with great optical efficiency and low consumption, fitted with LED diodes of high intensity, reaching a nominal range up to 8 nautical miles.

Battery life up to 400h

With several large capacity battery options, the MCL180 lantern has an autonomy up to 400 hours of operation. This allows to ensure the operation of the beacon and its energy availability in the most demanding conditions.

Lifetime operation over 10 years

Thanks to the high quality materials used in the MCL180 and its robust design, this lantern has a lifetime operation over 10 years in the most demanding conditions.

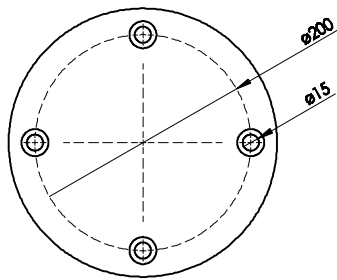
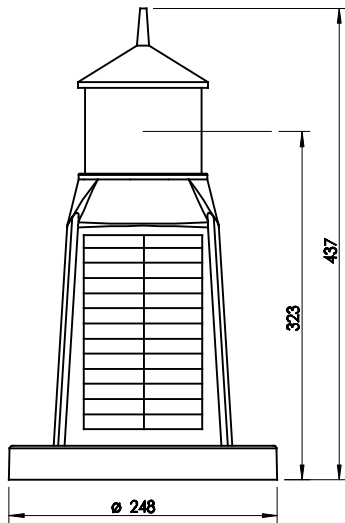
Designed according to IALA Recommendations.



FEATURES

- *High-efficiency luminous system.*
Up to 8 nm ($T=0.74$), 10 nm ($T=0.85$).
- *Vertical divergence up to 12° (50% I_0).*
- *360° horizontal output.*
- *Average operation lifetime over 10 years.*
- *IP 68 watertightness degree (immersion resistant).*
- *Very resistant to marine environment.*
- *RS-232 serial port for setting adjustments by PC.*
- *Programming, configuration and operating status via PC or IR programmer.*
- *Autonomy without solar charging up to 400 hours.*
- *Automatic energy management, according to solar radiation.*
- *4 nos. solar modules of 2.35 W each.*
- *PATENTED OPTICAL SYSTEM.*

MCL180



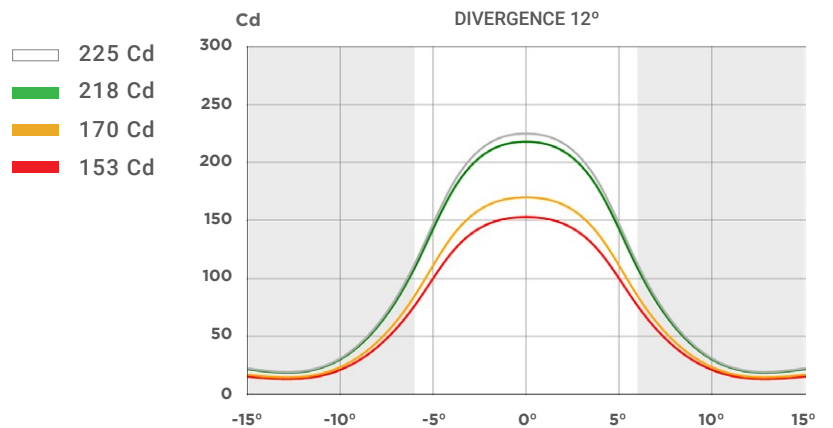
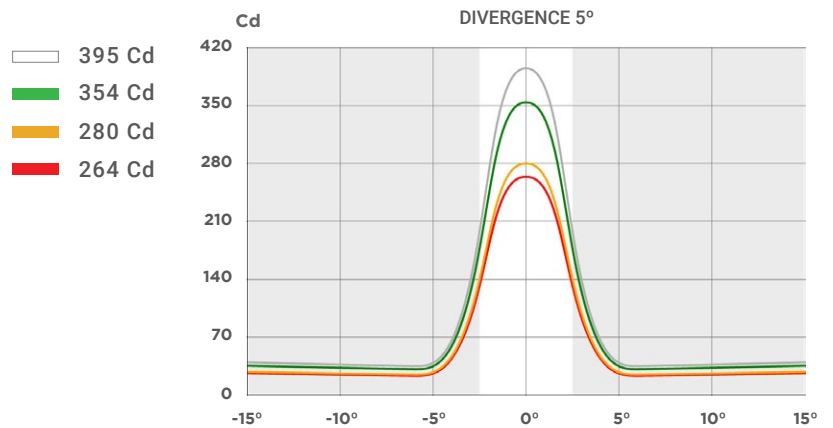
Technical Features

Light source:	Ultra-bright LED diodes, with high-precision acrylic lenses.
LED average life:	More than 100,000 hours.
Flash rhythms:	256 rhythms (6 nos. user selectable).
Solar module:	4 nos. of 2.35 W.
Battery:	14.4 Ah, Lead Crystal®, maintenance-free.
Base:	Glass-fibre reinforced polyamide PA66-GF30.
Lens cover:	UV stabilised acrylic.
Watertightness degree:	IP 68.

Options

- PC programming kit.
- Fixing kit for 4 bolts in a 200mm diameter.
- MCL180-SYNC (GPS synchronization).
- Other specifications available under request.
- Other battery capacities available.

Peak intensities (Cd)



! Specifications subject to change without previous notice.
Luminous ranges will be affected depending on latitude, flash rhythms and chosen options.