

MSK

Compact solar power kit

The MSK is a compact pole designed to support lanterns or racons, allowing the integration of a solar power system to ensure long-lasting energy autonomy.

Versatile design

Thanks to its versatility, the MSK provides a fully autonomous aids to navigation system tailored to customer requirements. It can be equipped with marine lanterns, racons, solar modules, and a large watertight battery box capable of housing up to 200 Ah batteries or other electronic devices such as communication modems for monitoring, AIS AtoN units, GPS synchronizers, etc.

Ideal for remote installations

Quick and easy to install, this solar power kit is suitable for onshore and offshore stations that require minimal maintenance.

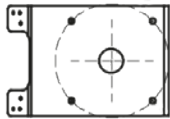
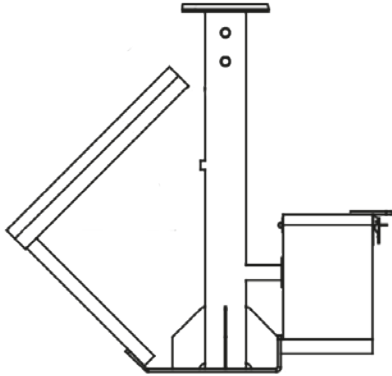


MSK featuring MBL160 lantern



FEATURES

- Customizable design.
- Stainless steel pole, support, and battery box.
- Watertight battery box with a capacity of up to 200 Ah.
- Able to support solar modules up to 80 W.
- Adjustable inclination.
- Standard top fixings (3 - 4 bolts with a 200 mm diameter).
- Free inputs through IP 68 cable glands for external connections and communications.
- Average operation lifetime over 10 years..



■ Solar modules & battery

Solar module:	Up to 2 nos. From 10 to 80 W. Inclination depending on latitude.
Battery:	Up to 200 Ah, gelled. Maintenance-free.

■ Materials and environment

Pole, support and battery box:	Stainless and/or galvanised steel.
Top and bottom:	Fijaciones estándar (3 - 4 pernos en un diámetro de 200 mm).
Watertightness degree:	IP68.
Humidity resistance:	100%. Pressure-compensation valve to avoid condensation.
Temperature range:	From -20°C to 70°C.
Hardware:	Vandal-proof stainless steel.

■ Equipment options

- MSK PWR featuring an extra solar module.
- Other specifications available under request.
- ATEX version available.



Specifications subject to change without previous notice.