



PE

FLOAT

NBM

Nautical buoys

NBM Nautical Buoys are especially designed for beach buoyage or channels where a temporary marking is required.

Rotomoulded polyethylene in one piece

They are manufactured with rotomoulded virgin polyethylene in one piece. Polyethylene includes the necessary pigment that provides the colour (chromaticity according to IALA Recommendations.). UV filters guarantee a stable colour protection during its whole service life.

Internal reinforcements

Reinforcements are included from the floating line to the mooring eye. They can be filled with closed-cell expanded polyurethane foam under customer request.

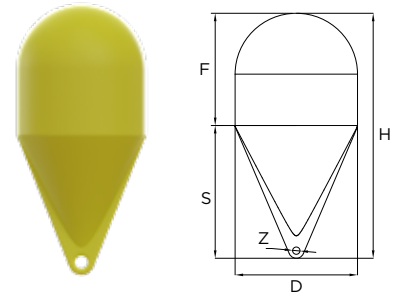


VERSIONS



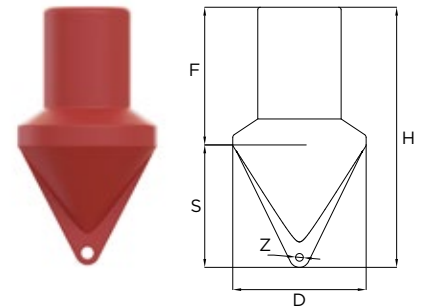
Spherical buoys

	H (mm)	F (mm)	S (mm)	DØ (mm)	ZØ (mm)	Buoyancy (L)
NBM 04-Y	660	315	345	400	38	45
NBM 06-Y	1,100	494	606	600	48	227.5
NBM 08-Y	1,610	745	865	800	48	410



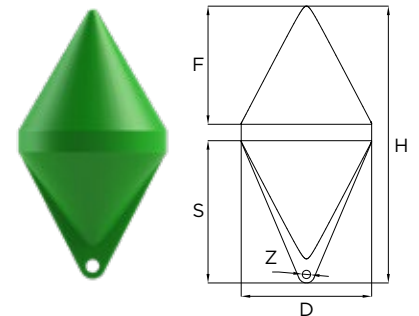
Cylindrical buoys

	H (mm)	F (mm)	S (mm)	DØ (mm)	LØ (mm)	ZØ (mm)	Buoyancy (L)
NBM 04-R	740	377	362	400	250	38	35
NBM 08-R	1,610	960	650	600	500	48	290






Conical buoys

	H (mm)	F (mm)	S (mm)	DØ (mm)	ZØ (mm)	Buoyancy (L)
NBM 04-G	640	277	363	400	38	25
NBM 08-G	1,600	800	800	800	48	200



Colours code

	Y
	R
	G

! Specifications subject to change without previous notice.