

PBM 15/25

Polyethylene Buoy



Our range of PBM 15/25 polyethylene buoys is designed for both sheltered and open-sea waters, since they are available in diameters from 1.5 to 2.5 metres. These buoys are characterised by their minimum maintenance.

Made from high-quality rotomoulded virgin polyethylene, filled with closed-cell expanded polyurethane foam. Polyethylene includes the necessary pigment that provides the colour. UV filters guarantee a stable colour protection during their whole service life.

Reinforcements are included from the floating line to the mooring eye. They are supplied with their corresponding ballast weights. Depending on their size, they are manufactured of several sections.

Manufactured with high-quality and resistant materials, these buoys provide a long service life under harsh marine conditions.

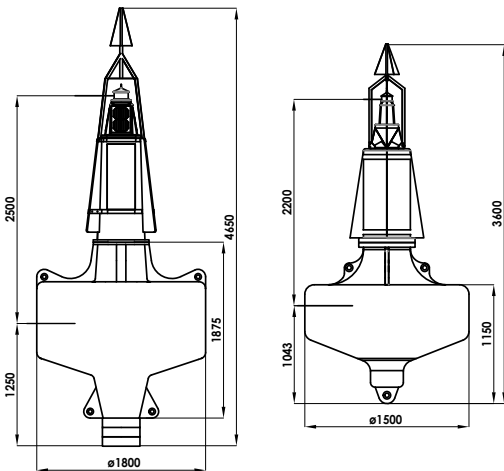
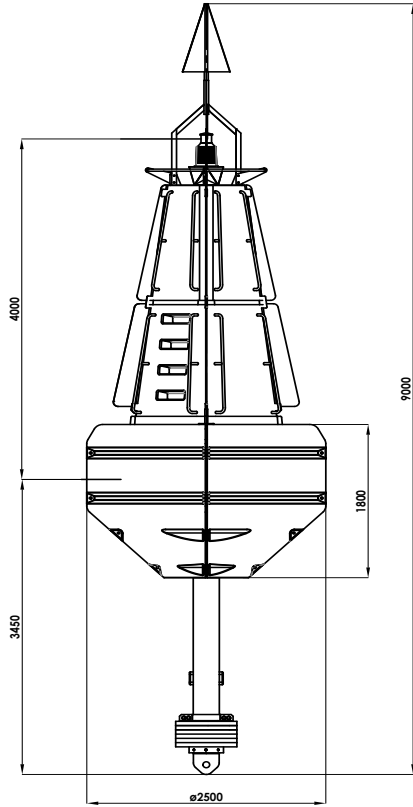
Features:

- Float manufactured with rotomoulded virgin polyethylene, 15mm thickness. Other thicknesses available under request.
- High shock resistance.
- Float filled with closed-cell expanded polyurethane foam inside, in order to avoid water absorption.
- Possibility of ballast weight integrated for a greater stability.
- Metallic parts from marine aluminium.
- Colour impregnated in the polyethylene.
- Chromaticity according to IALA Recommendations.
- UV protection.
- Compatible with a large variety of self-contained and marine LED lanterns.
- Top mark to increase buoy conspicuity at daytime.
- Minimum maintenance.
- Designed according to IALA Recommendations.



PBM 15/25

Specifications subject to change without previous notice.



Superstructure

Material:	Hot-dip galvanized steel.
Coating:	UV- and corrosion-resistant polyurethane paint.
Day marks:	Polyethylene.
Top mark:	GRP, according to IALA Recommendations.
Radar reflector:	10 m ² (X Band).
Batteries capacity:	Up to 130 Ah, in watertight cabinet with safety lock.
Lifting eyes:	2 nos.
Hardware:	Stainless steel.

Float

Diameter:	From 1.5 to 2.5 metres.
Material:	15mm thickness rotomoulded virgin polyethylene.
Filling:	Closed-cell expanded polyurethane foam.
Top surface:	Anti-sliding.

Tail

Material:	Hot-dip galvanized steel.
Ballast weights:	Treated steel, detachable/Integrated.
Mooring eyes:	1 or 2 nos., depending on model.
Protection:	Sacrifice anodes.

Options

- High-visibility day marks.
- Passive radar reflector up to 36 m² RCS available.
- Active radar reflector.
- Solar modules and batteries capacity.
- Other float volumes available under request.

	Float diameter (*)	Focal height(*)	Float volume	Total weight	Max. chain
PBM 15	1.5 m	2.0 m	1.6 m ³	410 kg	350 kg
PBM 18	1.8 m	2.5 m	2.7 m ³	555 kg	650 kg
PBM 25	2.5 m	4.0 m	6.1 m ³	2,100 kg	1,500 kg

**Other diameters and heights available under request.*



Mediterráneo Señales Marítimas, S.L.
 Pol. Ind. Mas de Tous - C/ Oslo 12
 46185 La Pobla de Vallbona - Valencia SPAIN
 +34 96 276 10 22
 msm@mesemar.com
 www.mesemar.com

