



INOX.

STRUCTURE



PE

FLOAT

PBM10

Spar Buoy

The PBM10 buoy is a spar buoy specially designed to be installed both in channels, ports and inland waterways

High-quality rotomoulded polyethylene

They are manufactured from high-quality rotomoulded virgin polyethylene in one piece. Polyethylene includes the necessary pigment that provides the colour.

UV protection

UV filters guarantee a stable colour protection during its whole service life. Optionally, they can be supplied with their corresponding ballast weight and filled with closed-cell expanded polyurethane foam or high-density expanded polystyrene filling.



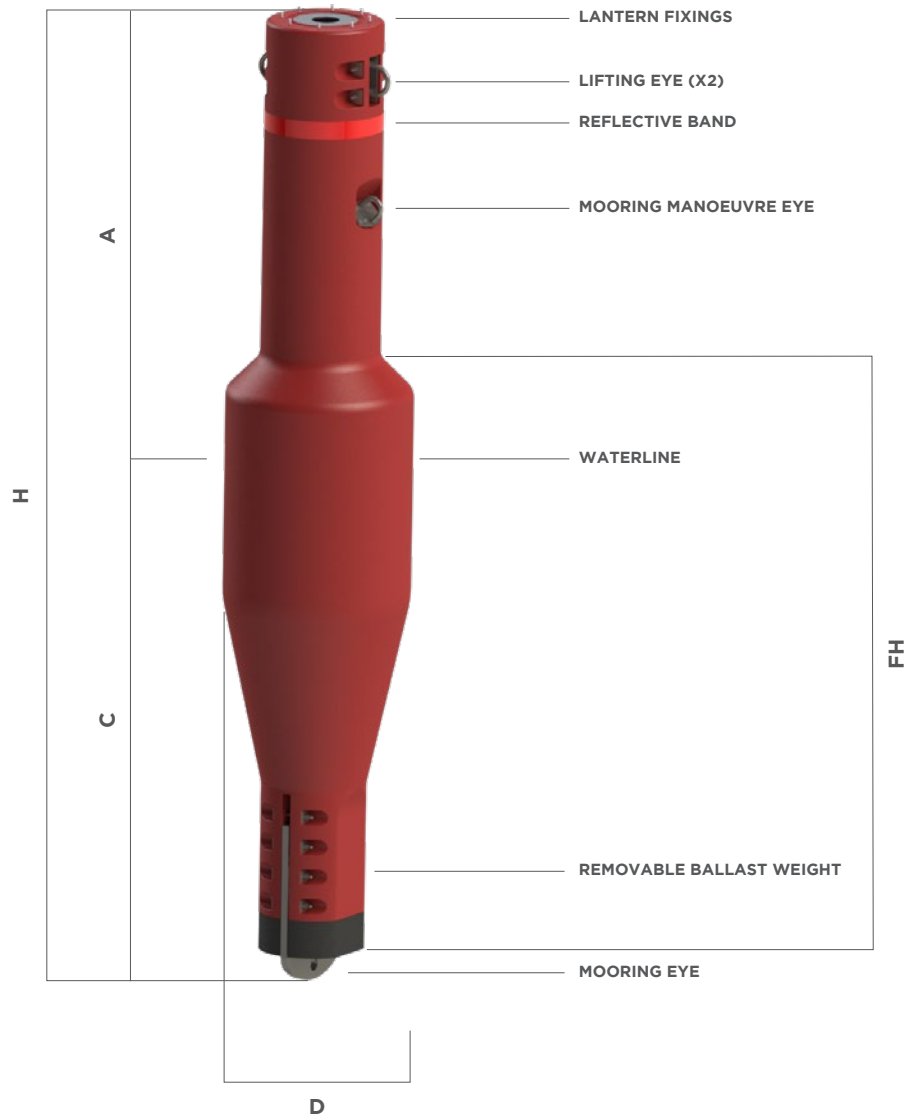
FEATURES

- High-shock resistant rotomoulded polyethylene float, 12 mm thickness.
- High-visibility structure to spot the buoy during the day.
- Float filled with closed-cell expanded polyurethane foam inside.
- Colour impregnated in the polyethylene.
- Chromaticity according to IALA Recommendations.
- UV protection.
- Compatible with a large variety of self-contained lanterns, as an option.
- Minimum maintenance.
- Designed according to IALA Recommendations.

PBM10

	(D) Float diameter	(A) Focal Height	(FH) Float Height	(C) Draft	(H) Total height	Float Volume	Total weight	Max. chain
PBM10	1.0 m	3.4 m	2.5 m	2.3 m	5.2 m	1.2 m ³	800 kg	680 kg

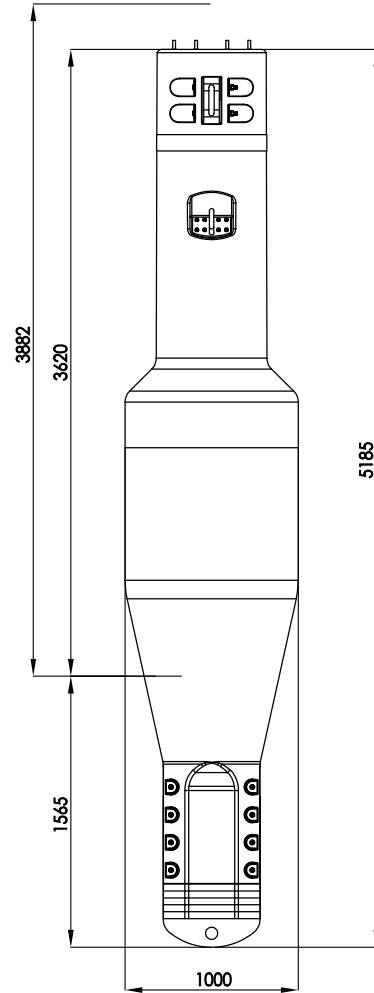
**Other volumes and heights available under request.*



PBM10

■ Versions

PBM10



PBM10

Float

Diameter:	1.0 metres.
Height:	2.5 metres.
Material:	12 mm thickness rotomoulded polyethylene.
Filling:	Closed-cell expanded polyurethane foam.
Lifting eyes:	2 nos.

Tail

Material:	Stainless steel.
Ballast weights:	Treated steel, adjustable.
Mooring eyes:	1 no.

Options

- Self-contained lantern.
- Aluminium or stainless steel top mark.
- High-density expanded polystyrene filling.
- Self-reflective material.
- Internal passive radar reflector.
- Other float volumes available under request.
- Other thickness available under request.



Specifications subject to change without previous notice.

