



PE

SUPERSTRUCTURE



PE

FLOAT

PBM16

Minimum maintenance

Our PBM16 polyethylene buoys are designed for both sheltered and open-sea waters. These buoys are characterised by their minimum maintenance.

High-quality rotomoulded virgin polyethylene

Made from high-quality rotomoulded virgin polyethylene, filled with closed-cell expanded polyurethane foam. Polyethylene includes the necessary pigment that provides the colour. UV filters guarantee a stable colour protection during their whole service life. Reinforcements are included from the floating line to the mooring eye. They have an internal ballast weight for a greater stability. They are supplied with their corresponding ballast weights.

Long service life

Manufactured with high-quality and resistant materials, these buoys provide a long service life under harsh marine conditions.



Region A



Region A

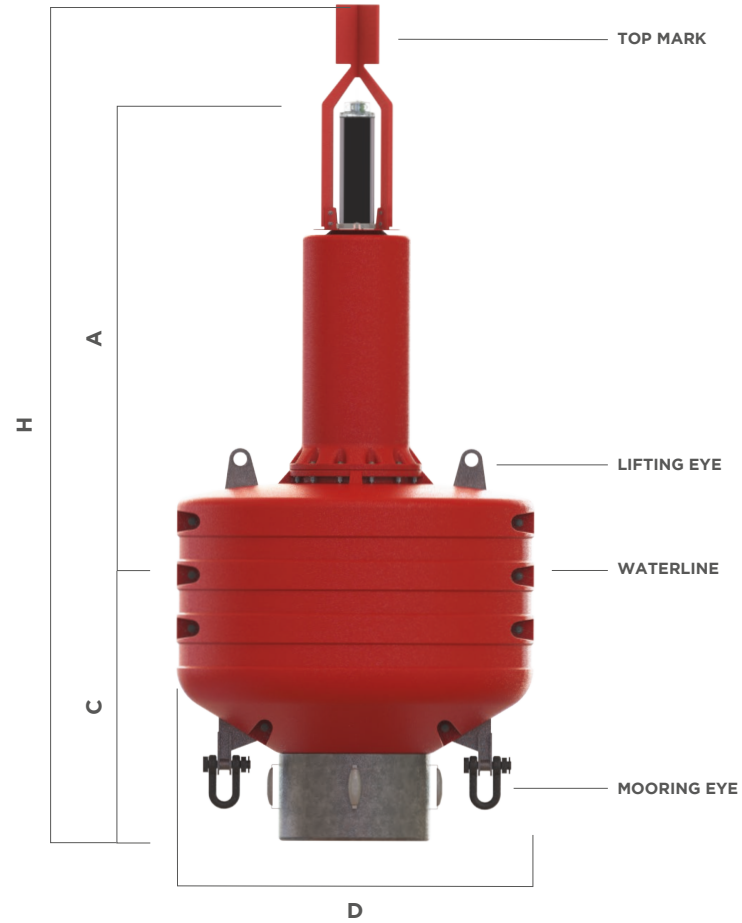
FEATURES

- Float manufactured with rotomoulded virgin polyethylene, 10 mm thickness. Other thicknesses available under request.
- High shock resistance.
- Float filled with closed-cell expanded polyurethane foam inside, in order to avoid water absorption.
- Ballast weight integrated for a greater stability.
- Metallic parts from marine aluminium.
- Colour impregnated in the polyethylene.
- Chromaticity according to IALA Recommendations.
- UV protection.
- Compatible with a large variety of self-contained and marine LED lanterns.
- Top mark to increase buoy conspicuity at daytime.
- Minimum maintenance.
- Designed according to IALA Recommendations.

PBM16

	(D) Float diameter	(A) Focal Height	(C) Draft	(H) Total height	Total weight	Max. chain
PBM16	1.6 m	2.0 m	0.4 m	3.5 m	850 Kg	800 Kg

**Other volumes and heights available under request.*



Region A

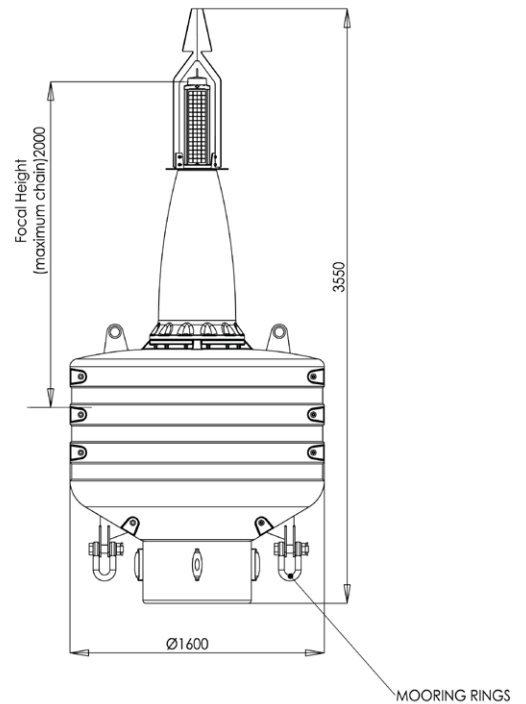
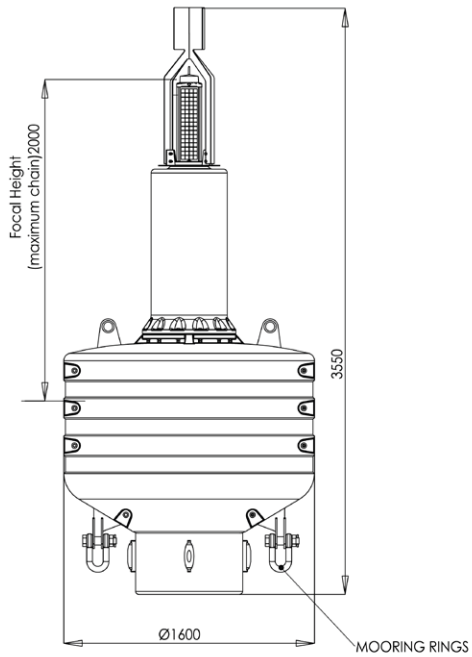
PBM16

■ Versions

PBM16 - PORT SIDE



PBM16 - STARBOARD SIDE



PBM16

■ Superstructure

Material:	10 mm thickness rotomoulded polyethylene.
Top mark:	Marine Aluminium.
Radar reflector:	10 m ² (X Band), internal.
Lifting eyes:	2 nos.
Hardware:	Stainless-steel.

■ Float

Diameter:	1.6 metres.
Material:	10 mm thickness rotomoulded polyethylene.
Filling:	Closed-cell expanded polyurethane foam.

■ Options

- High-visibility day marks.
- Passive radar reflectors up to 36 m² RCS available.
- Active radar reflector.
- Other thickness available under request.

! Specifications subject to change without previous notice.

