



PE

SUPERSTRUCTURE



PE

FLOAT



GALV



INOX.

TAIL

PBM30

Minimum maintenance

Our PBM30 polyethylene buoys are designed for both sheltered and open-sea waters. These buoys are characterised by their minimum maintenance.

Rotomoulded polyethylene

Made from high-quality rotomoulded virgin polyethylene, filled with closed-cell polystyrene. Polyethylene includes the necessary pigment that provides the colour. UV filters guarantee a stable colour protection during their whole service life. They are supplied with their corresponding ballast weights. The float is made up of 4 sections.

Long service life

Manufactured with high-quality and resistant materials, these buoys provide a long service life under harsh marine conditions.



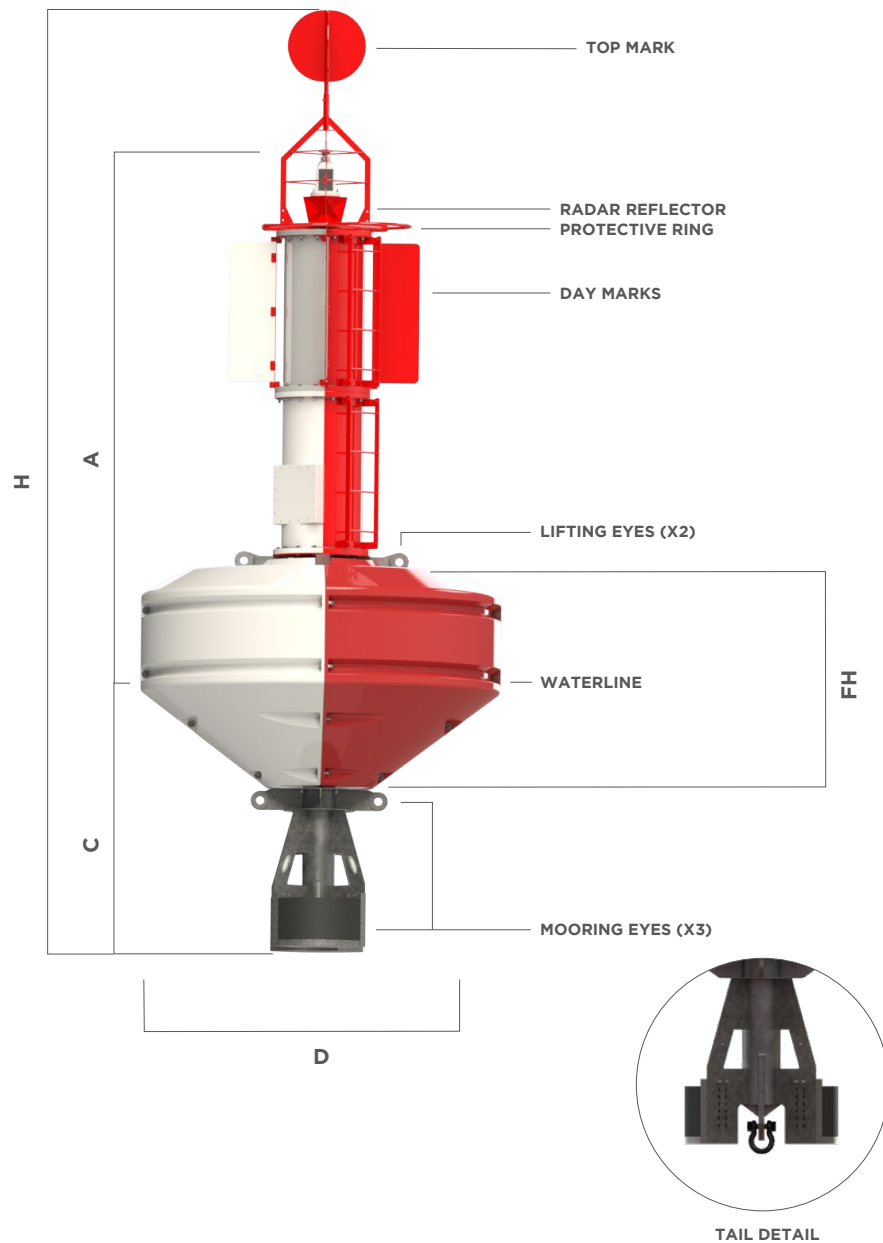
FEATURES

- Float manufactured with rotomoulded virgin polyethylene, 12 mm thickness. The float consists of four modular replaceable sections connected by a metallic frame.
- High-shock resistance.
- Float filled with closed-cell polystyrene inside, in order to avoid water absorption.
- Detachable ballast weights for a greater stability.
- Colour impregnated in the polyethylene.
- Chromaticity according to IALA Recommendations.
- UV protection.
- Compatible with a large variety of self-contained and marine LED lanterns.
- Top mark and to increase buoy conspicuity at daytime.
- Minimum maintenance.
- Designed according to IALA Recommendations.

PBM30

	(D) Float diameter	(A) Focal Height	(FH) Float Height	(C) Draft	(H) Total height	Float Volume	Total weight	Max. chain
PBM30	3.0 m	4.5 m	1.9 m	3 m	7.9 m	8.6 m ³	2,500 kg	2,600 kg

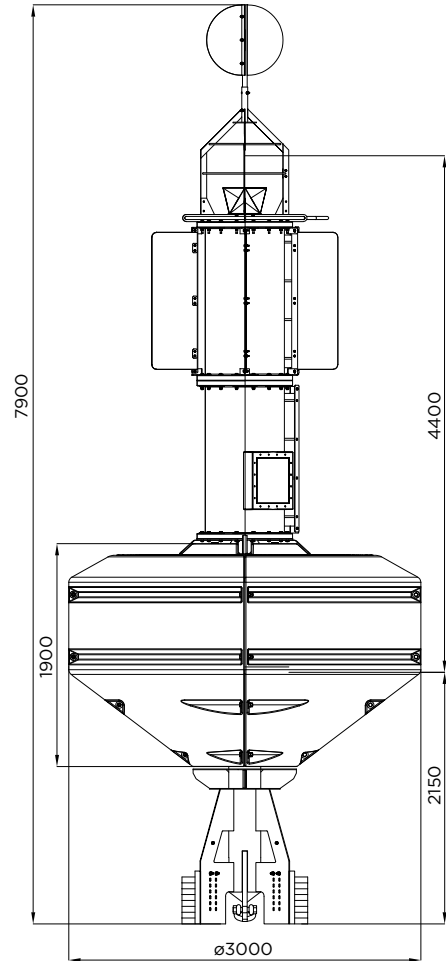
**Other volumes and heights available under request.*



PBM30

■ Versions

PBM30



PBM30

Superstructure

Material:	10 mm thickness rotomoulded virgin polyethylene.
Metallic elements coating:	UV and marine environment resistant polyurethane coating.
Top mark:	Stainless-steel, according to IALA Recommendations.
Radar reflector:	10 m ² (X Band) tetrahedron.
Batteries capacity:	Up to 90 Ah, in a watertight cabinet with safety lock.
Lifting eyes:	2 nos., AISI 316 stainless steel.
Elements:	Access ladder to the lantern and protective ring in stainless-steel.
Hardware:	Stainless-steel.

Float

Diameter:	3 metres.
Material:	12 mm thickness rotomoulded virgin polyethylene, 4 modular replaceable sections.
Filling:	Closed-cell polystyrene (15 kg/m ³).
Fixings:	Stainless-steel bolts.
Lifting eyes:	2 nos., AISI 316 Stainless-steel.
Top Surface:	Anti-sliding.

Tail

Material:	Hot-dip galvanised (PBM30).
Ballast weights:	Treated steel, removable/integrated.
Mooring eyes:	3 nos.
Protection:	Sacrifice anodes.

Options

- High-visibility day marks.
- Top marks available in stainless-steel or hot-dip galvanised steel.
- Passive radar reflector up to 36 m² RCS available.
- Active radar reflector.
- Closed-cell expanded polyurethane foam float filling as an option.
- Stainless-steel AISI304 bridle tail (PBM30X).
- Stainless-steel AISI316 bridle tail (PBM30Y).
- Solar modules capacity.
- Other float volumes available under request.
- Other thickness available under request.



Specifications subject to change without previous notice.

