

RBM-ATV 25

Anti-vandalic
Buoy



The RBM-ATV 25 has been especially designed to avoid vandalism. It is particularly indicated to be deployed in places with a high theft incidence. Thanks to its construction, it can be deployed in both sheltered and open-sea waters.

Float is made up of 4 nos. rotomoulded virgin polyethylene sections. Its conic shape makes impossible that anyone can board it. Polyethylene includes the necessary pigment that provides the colour.

Its superstructure is a galvanized-steel tube without toehold avoiding the access to the upper part and to the marine lantern. It incorporates a self-contained lantern inside the superstructure, making impossible its handling.

Designed according to IALA Recommendations.

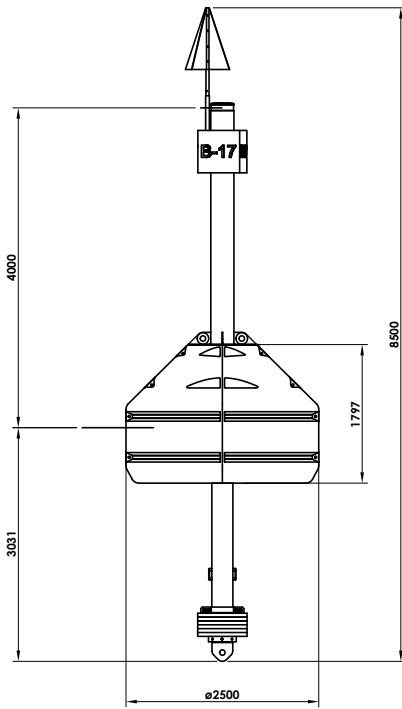
Features:

- Float made from high-quality rotomoulded virgin polyethylene, colour impregnated, 15mm thickness. Lateral reinforcements included in order to increase buoy resistance.
- UV filters guarantee a stable colour protection during its whole service life.
- Float filled with closed-cell expanded polyurethane foam inside, in order to avoid water absorption.
- Chromaticity according to IALA Recommendations.
- Detachable ballast weights to be installed in different depths and different chain sizes.
- Metallic parts (superstructure and tail) from hot-dip galvanized steel as standard, stainless steel or marine aluminium as an option.
- Conic design of float top to avoid boarding.
- Stainless-steel hardware with anti-vandal system (special keys for handling).
- Upper part fitted with integrated lantern, top mark and numbering, and with restricted access.
- Minimum maintenance.



RBM-ATV 25

Specifications subject to change without previous notice.



Mediterráneo Señales Marítimas, S.L.

Pol. Ind. Mas de Tous - C/ Oslo 12
46185 La Pobla de Vallbona - Valencia SPAIN

+34 96 276 10 22

mism@mesemar.com

www.mesemar.com



Superstructure

Material:	300mm diameter hot-dip galvanized steel tube.
Coating:	UV- and corrosion-resistant polyurethane paint.
Top mark:	GRP, according to IALA Recommendations.
Radar reflector:	10 m ² (X Band).
Solar module capacity:	Up to 1 no. solar module of 5W.
Batteries capacity:	Up to 2 nos. batteries of 12 Ah, gel electrolyte.
Lifting eyes:	2 nos.
Hardware:	Stainless steel and antivandalism system.

Float

Diameter:	2.5 metres.
Material:	15mm thickness rotomoulded virgin polyethylene.
Sections:	Divided into 4 compartments.
Filling:	Closed-cell expanded polyurethane foam.
Top surface:	Conic design.

Tail

Material:	Hot-dip galvanized steel.
Ballast weights:	Treated steel, detachable.
Mooring eye:	1 no.
Protection:	4 nos. sacrifice anodes.

Options

Superstructure made from stainless-steel.
Bird spikes.
Cast-iron ballast weights.
Polystyrene filling available under request.
Elastomer float available under request.
Skirt or short tail available.
Other float volumes available under request.

	Float diameter (*)	Focal height (*)	Float volume	Total weight	Max. chain
RBM 25-ATV	2.5 m	4.0 m	6.16 m ³	2,150 kg	1,800 kg

*Other diameters and heights available under request.