



PE

STRUCTURE



PE

FLOAT

## RBM12

### Buoys for shallow waters

This buoy has been especially designed to be used during work periods, danger marking, emergency buoys or in shallow waters.

### Rotomoulded polyethylene

Float made from high-quality rotomoulded virgin polyethylene, divided into two sections. Polyethylene includes the necessary pigment that provides the colour. UV filters guarantee a stable colour protection during its whole service life. It incorporates reinforcements from the waterline to the mooring eye. To ensure its buoyancy, the float is filled with closed-cell expanded polyurethane foam.

### Long service life

Metallic buoy parts (superstructure and tail) are made from hot-dip galvanized steel, providing a long service life under harsh marine conditions. They can be customized under client's request, as well as to be made from stainless steel or marine aluminium.



Region A

## FEATURES

- Float made from high-quality rotomoulded virgin polyethylene of 10 mm thickness. Other thicknesses available on request.
- Float filled with closed-cell expanded polyurethane foam inside.
- Metallic parts from hot-dip galvanized steel.
- Colour impregnated in the polyethylene.
- Chromaticity according to IALA Recommendations.
- UV protection.
- Compatible with a large variety of self-contained lanterns.
- Top mark to increase buoy conspicuity at daytime.
- Stainless steel hardware.
- Minimum maintenance.
- Designed according to IALA Recommendations.

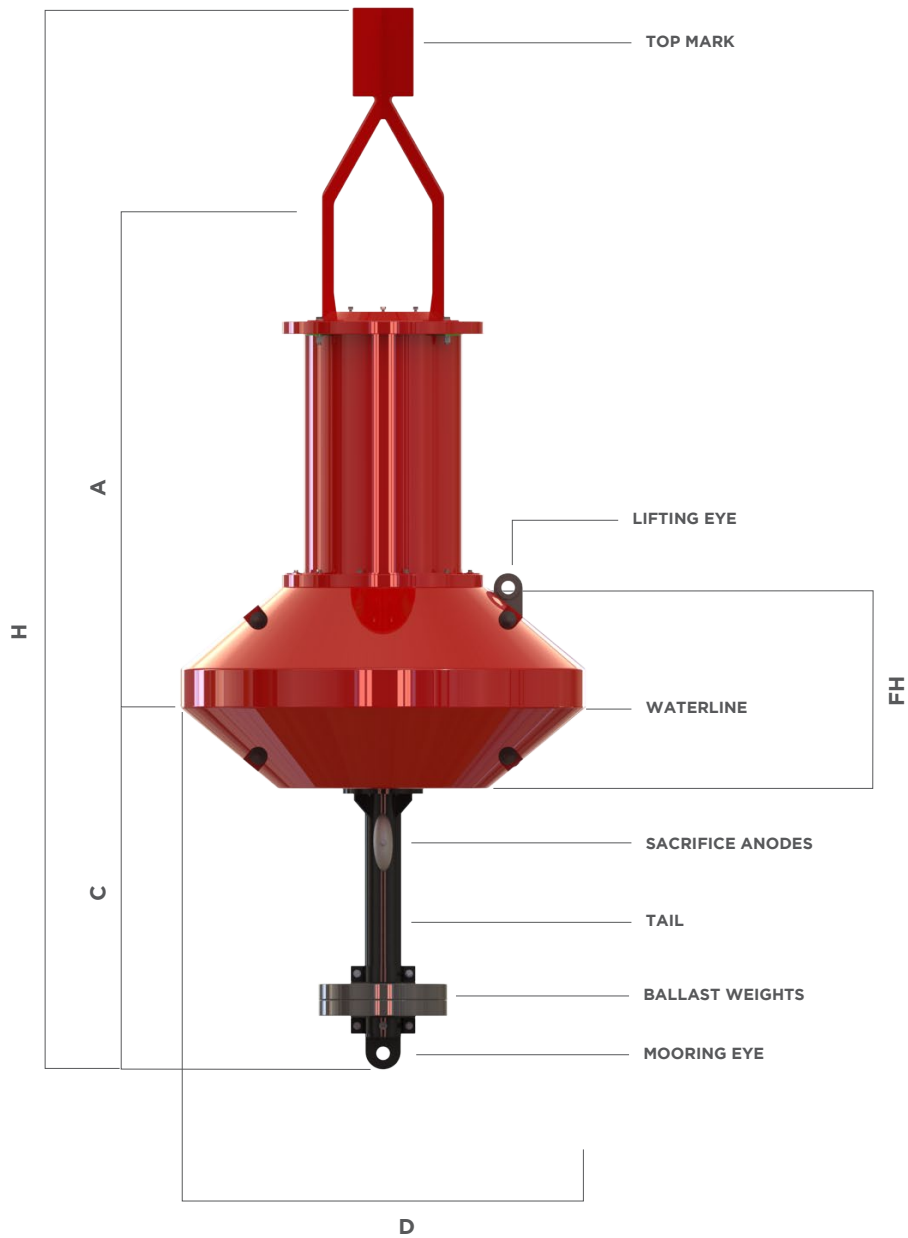


Region A

# RBM12

	(D) Float diameter	(A) Focal Height	(FH) Float Height	(C) Draft	(H) Total height	Float Volume	Total weight	Max. chain
<b>RBM12</b>	1.25 m	1.5 m	0.6 m	1.35 m	3.27 m	0.5 m <sup>3</sup>	212 kg	200 kg

\* Other volumes and heights available under request.

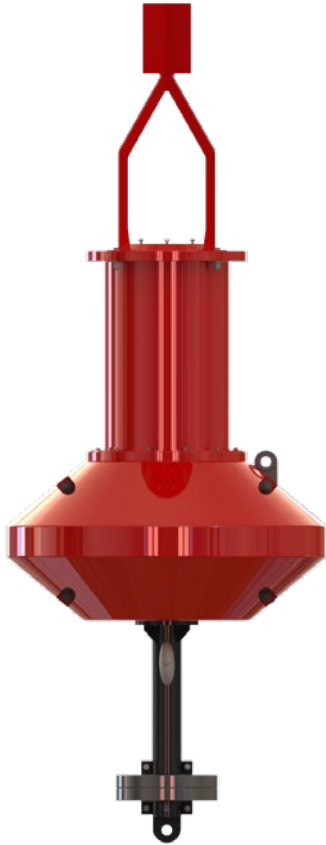


Region A

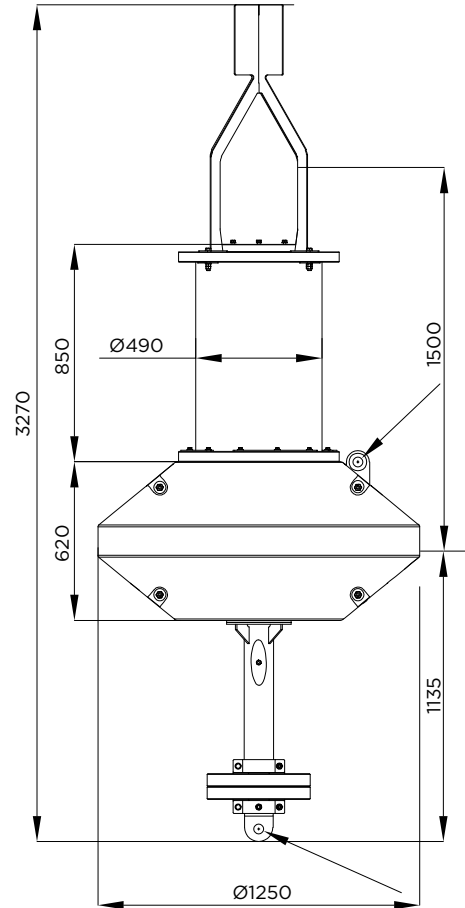
# RBM12

## ■ Versions

RBM12



Region A



# RBM12

## Superstructure

<b>Material:</b>	12 mm thickness rotomoulded virgin polyethylene.
<b>Coating:</b>	UV and marine environment resistant polyurethane coating.
<b>Top mark:</b>	Marine aluminium.
<b>Lifting eyes:</b>	1 no.
<b>Hardware:</b>	Stainless-steel.

## Float

<b>Diameter:</b>	1.25 meters.
<b>Material:</b>	10 mm thickness rotomoulded virgin polyethylene.
<b>Filling:</b>	Closed-cell expanded polyurethane foam.

## Tail

<b>Material:</b>	Hot-dip galvanized steel.
<b>Ballast weights:</b>	Treated steel, detachable.
<b>Mooring eyes:</b>	1 nos.
<b>Protection:</b>	Sacrifice anodes.

## Options

- Cast-iron ballast weights.
- Polystyrene filling available under request.
- Short tail available (PBM12).
- Passive radar reflector of 8 m<sup>2</sup> RCS.
- Other thicknesses available on request.



Specifications subject to change without previous notice.

