

RBM 15/30

Polyethylene BuOys



RBM polyethylene buOys are designed for both sheltered and open-sea waters, since they are available in diameters from 1.5 to 3 metres.

The float is made from high-quality rotomoulded virgin polyethylene.

Depending on the diameter and volume, floats can be made up of several sections. Polyethylene includes the necessary pigment that provides the colour. UV filters guarantee a stable colour protection during its whole service life. Reinforcements are included from the floating line to the mooring eye. To ensure its buoyancy, the float is filled with closed-cell expanded polyurethane foam.

Metallic buoy parts (superstructure and tail) made from hot-dip galvanized steel, and designed to provide a long service life under the harshest marine conditions. They can be customized under client's request.

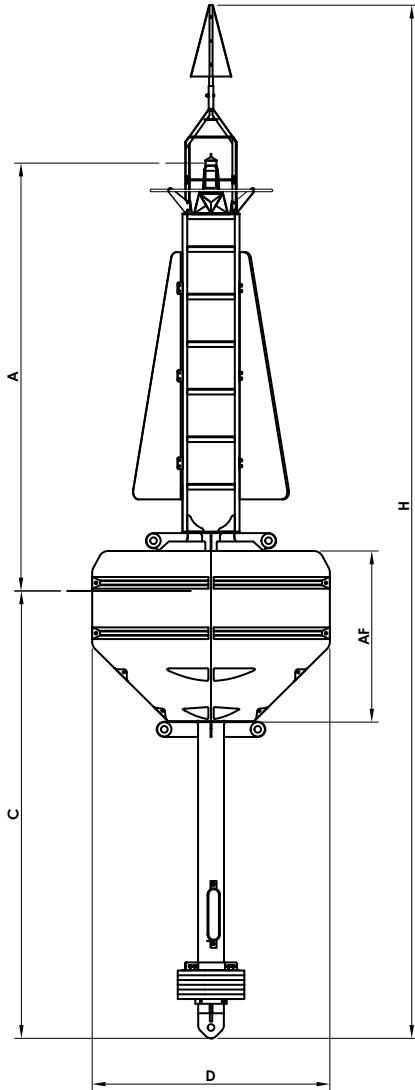
Features:

- Float made from high-quality rotomoulded virgin polyethylene, colour impregnated. Lateral reinforcements included in order to increase buoy resistance.
- 15mm standard thickness. Other thicknesses available under request.
- Float filled with closed-cell expanded polyurethane foam inside.
- Chromaticity according to IALA Recommendations.
- Detachable ballast weights to be installed in different depths and different chain sizes.
- Metallic parts (superstructure and tail) from hot-dip galvanized steel as standard, stainless steel or marine aluminium as an option.
- Capacity to hold up to 130 Ah batteries and 4 nos. solar modules up to 75W.
- Compatible with a large variety of self-contained and marine LED lanterns.
- Passive radar reflector of 10 m² RCS.
- Designed according to IALA Recommendations.



RBM 15/30

Specifications subject to change without previous notice.



Mediterráneo Señales Marítimas, S.L.

Pol. Ind. Mas de Tous - C/ Oslo 12
46185 La Pobla de Vallbona - Valencia SPAIN

+34 96 276 10 22

msm@mesemar.com

www.mesemar.com



Superstructure

Material:	Hot-dip galvanized steel.
Coating:	UV- and corrosion-resistant polyurethane paint.
Day marks:	GRP.
Top mark:	According to IALA Recommendations.
Radar reflector:	10 m ² (X Band).
Solar modules capacity:	Up to 4 nos. solar modules of 75W (maximum).
Batteries capacity:	Up to 130 Ah, in watertight cabinet with safety lock.
Lifting eyes:	4 nos.
Hardware:	Stainless steel.

Float

Diameter:	From 1.5 to 3 metres.
Material:	15mm thickness rotomoulded virgin polyethylene (other thicknesses available).
Filling:	Closed-cell expanded polyurethane foam.
Top surface:	Anti-sliding.

Tail

Material:	Hot-dip galvanized steel.
Ballast weights:	Treated steel, detachable.
Mooring eye:	1 no.
Protection:	Sacrifice anodes.

Options

- Superstructure made from stainless-steel or marine aluminium.
- High-visibility day marks.
- Passive radar reflector available up to 36 m² RCS.
- Active radar reflector.
- Bird spikes.
- Cast-iron ballast weights.
- Polystyrene filling available under request.
- Skirt or short tail available.
- Other float volumes available under request.

	(D) Float diameter (*)	(A) Focal height (*)	(AF) Float height (*)	(C) Draft
RBM 15	1.5 m	2.5 m	1,000 mm	1,500 mm
RBM 18	1.8 m	3.0 m	1,200 mm	2,700 mm
RBM 22	2.2 m	3.5 m	1,200 mm	3,700 mm
RBM 25	2.5 m	4.0 m	1,800 mm	4,600 mm
RBM 30	3.0 m	6.0 m	1,800 mm	5,600 mm

	(H) Total height (*)	Float volume (**)	Total height	Max. chain
RBM 15	4,800 mm	1.35 m ³	400 kg	500 kg
RBM 18	7,450 mm	2.20 m ³	1,460 kg	1,200 kg
RBM 22	8,950 mm	4.30 m ³	1,600 kg	1,500 kg
RBM 25	10,900 mm	6.10 m ³	2,280 kg	1,800 kg
RBM 30	13,350 mm	8.60 m ³	2,750 kg	3,000 kg

*Other diameters and heights available under request.