

RBM15

Rotomoulded polyethylene

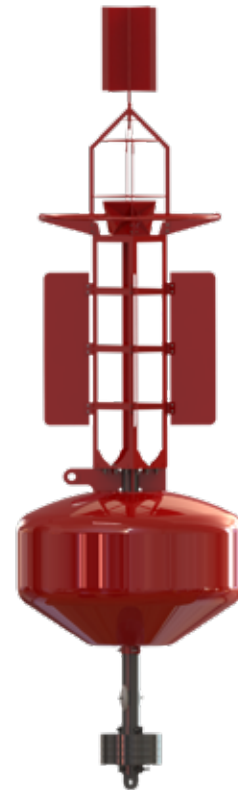
RBM15 polyethylene buoys are designed for both sheltered and open-sea waters, thanks to the large capacity of its float of 1.5 meters in diameter, in high-quality rotomoulded virgin polyethylene.

UV protection

Polyethylene includes the necessary pigment that provides the colour. UV filters guarantee a stable colour protection during its whole service life. To ensure its buoyancy, the float is filled with closed-cell expanded polyurethane foam.

Long service life

Metallic buoy parts (superstructure and tail) made from hot-dip galvanized steel, and designed to provide a long service life under the harshest marine conditions. There are standard models with a skirt, short tail or high visibility frame, to meet the most specific markup needs. They can be customized under client's request.



Region A



Region A

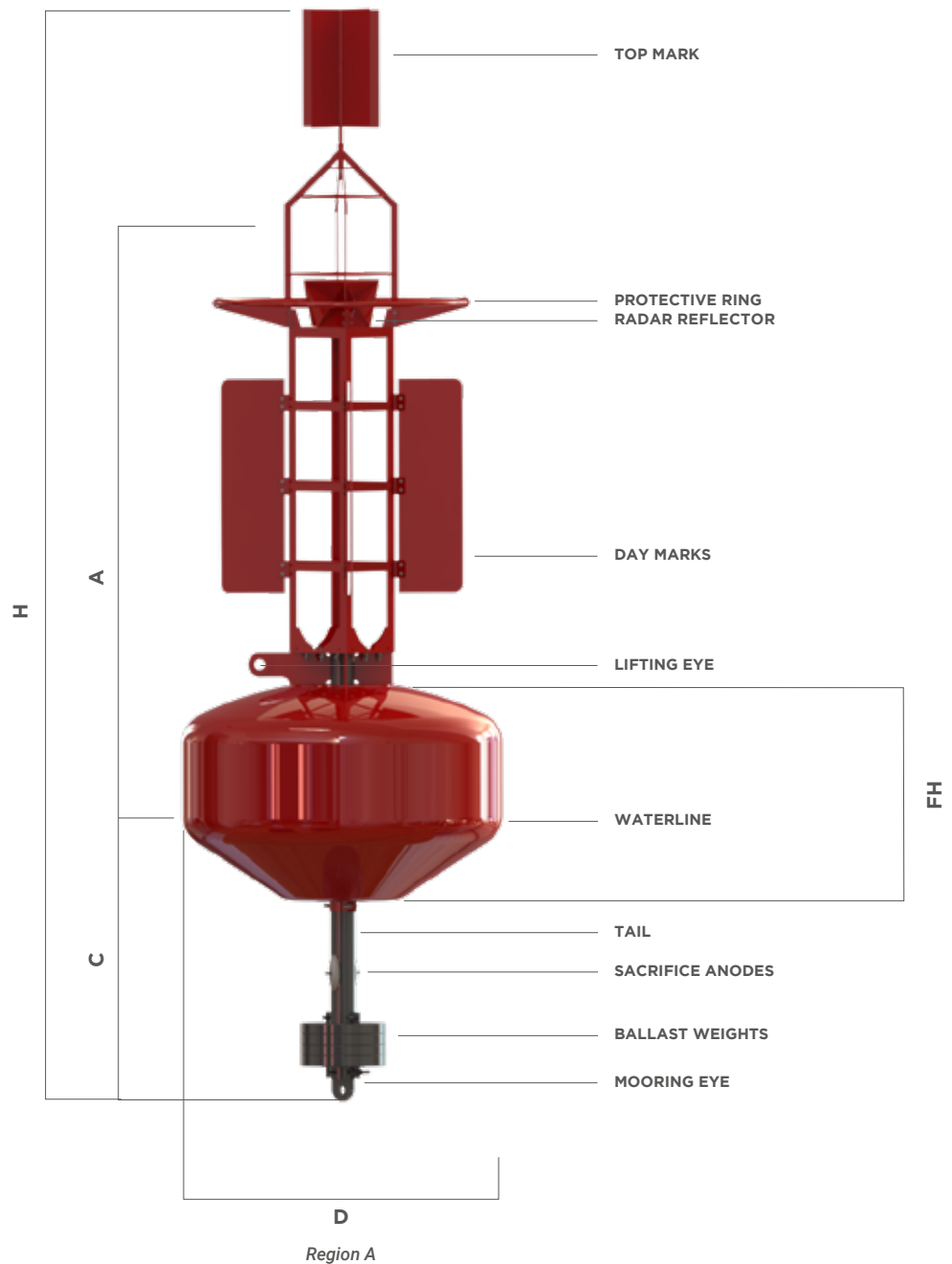
FEATURES

- Float made from high-quality rotomoulded virgin polyethylene of 12 mm thickness. Other thicknesses available on request.
- Float filled with closed-cell expanded polyurethane foam inside.
- Metallic parts from hot-dip galvanized steel.
- Colour impregnated in the polyethylene.
- Chromaticity according to IALA Recommendations.
- UV protection.
- Compatible with a large variety of self-contained lanterns.
- Top mark to increase buoy conspicuity at daytime.
- Stainless steel hardware.
- Minimum maintenance.
- Designed according to IALA Recommendations.

RBM15

	(D) Float diameter	(A) Focal Height	(FH) Float Height	(C) Draft	(H) Total height	Float Volume	Total weight	Max. chain
RBM15	1.5 m	2.7 m	1.0 m	1.34 m	5.0 m	1.3 m ³	470 kg	700 kg
RBM15F	1.5 m	2.8 m	1.0 m	1.10 m	4.70 m	1.3 m ³	518 kg	600 kg
RBM15HV	1.5 m	2.8 m	1.0 m	1.30 m	5.10 m	1.3 m ³	409 kg	700 kg

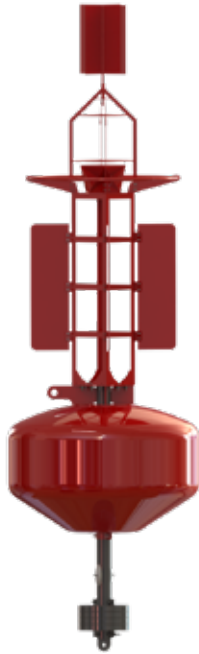
* Other volumes and heights available under request.



RBM15

■ Versions

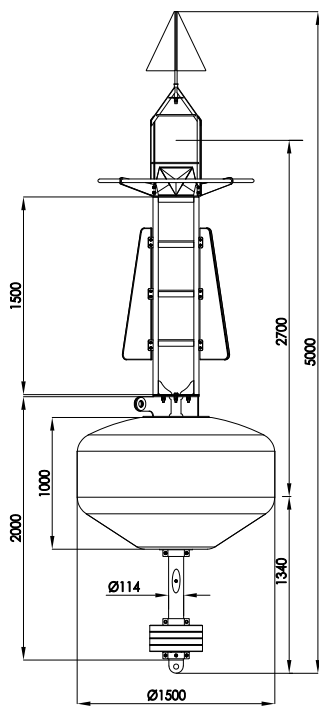
RBM15



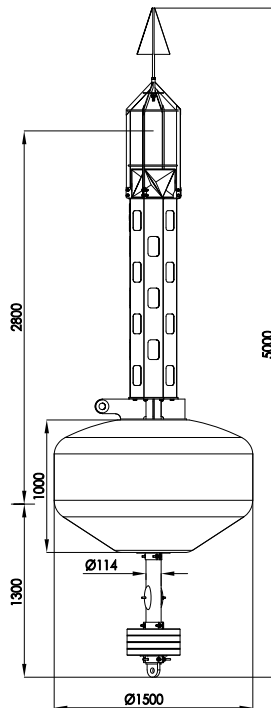
RBM15HV



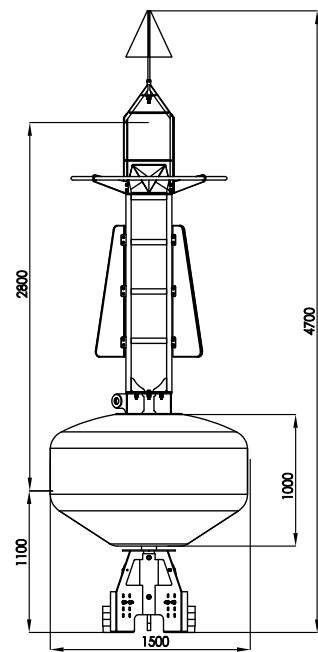
RBM15F



Region A



Region A



Region A

RBM15

Superstructure

Material:	Hot-dip galvanized steel.
Coating:	UV- and corrosion-resistant polyurethane paint.
Day marks:	GRP.
Top mark:	GRP, according to IALA Recommendation..
Radar reflector:	10 m ² (X band).
Lifting eyes:	1 no.
Hardware:	Stainless-steel.

Float

Diameter:	1.5 meters.
Material:	12 mm rotomoulded virgin polyethylene.
Filling:	Closed-cell expanded polyurethane foam.

Tail

Material:	Hot-dip galvanized steel.
Ballast weights:	Treated steel, detachable.
Mooring eye:	1 no.
Protection:	Sacrifice anodes.

Options

Superstructure made from stainless-steel (RBM15-X).
Top marks available in stainless-steel.
High-visibility day marks.
Cast-iron ballast weights.
Polystyrene filling available under request.
Other thicknesses available on request.



Specifications subject to change without previous notice.

