

## RBM25

### Rotomoulded polyethylene

RBM25 polyethylene buoys are designed for both sheltered and open-sea waters, thanks to the large capacity of its float of 2.5 meters in diameter, in high-quality rotomoulded virgin polyethylene.

### UV protection

Polyethylene includes the necessary pigment that provides the colour. UV filters guarantee a stable colour protection during its whole service life. To ensure its buoyancy, the float is filled with closed-cell expanded polystyrene foam.

### Long service life

The floats are made up of several sections. Metallic buoy parts (superstructure and tail) made from hot-dip galvanized steel, and designed to provide a long service life under the harshest marine conditions. There are standard models with a short tail or high visibility frame, to meet the most specific markup needs. They can be customized under client's request.



Region A

## FEATURES

- Float made from high-quality rotomoulded virgin polyethylene, 12 mm thickness. Other thicknesses available on request.
- Float filled with closed-cell expanded polystyrene foam inside.
- Metallic parts from hot-dip galvanized steel
- Impregnated color in polyethylene.
- Chromaticity according to IALA Recommendations.
- Protection against ultraviolet rays.
- Compatible with a large variety of self-contained and marine LED lanterns.
- Top mark to increase the visibility of the buoy during the day.
- Passive radar reflector of 10 m<sup>2</sup> RCS.
- Stainless steel screws.
- Minimal maintenance.
- Designed according to IALA Recommendations.

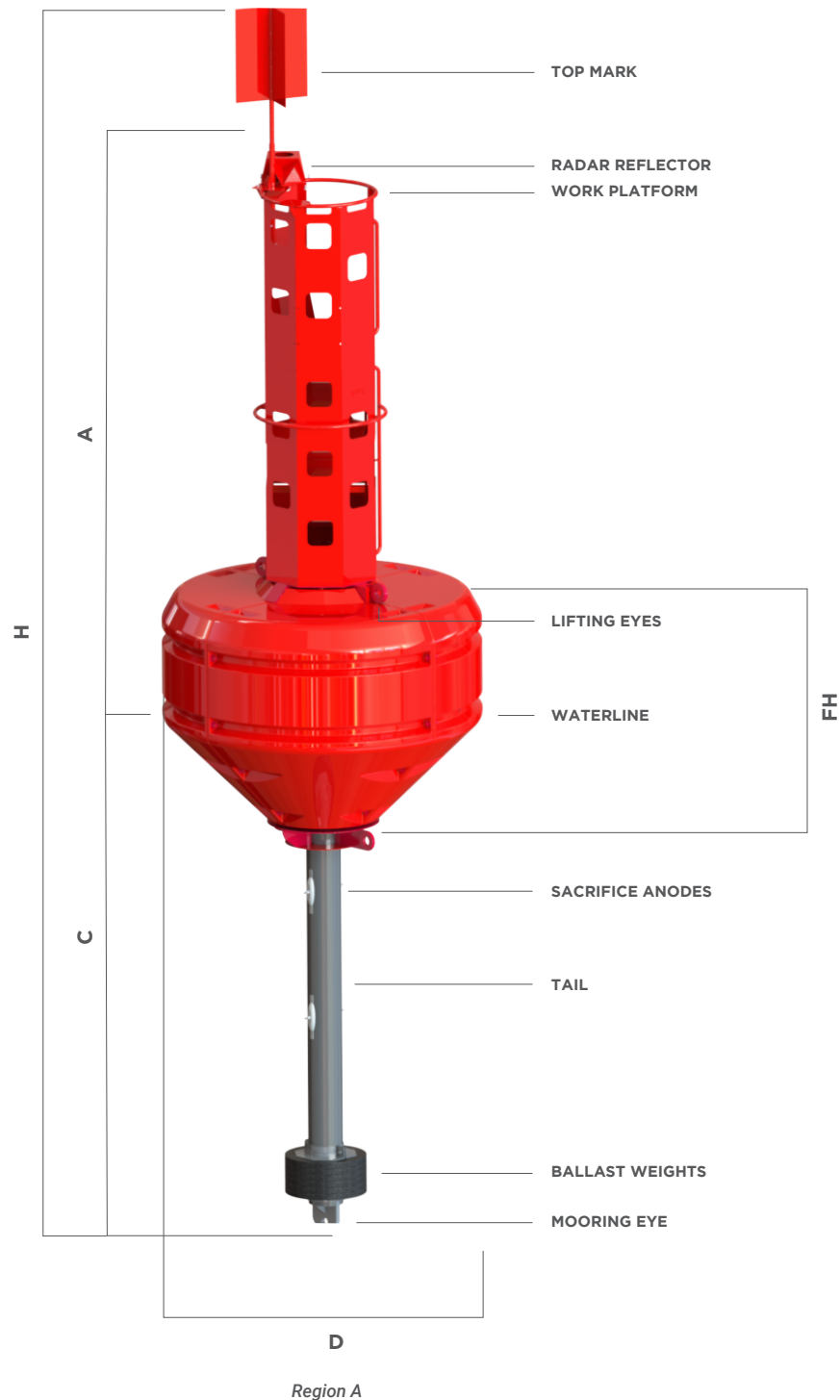


Region B

# RBM25

	(D) Float diameter	(A) Focal Height	(FH) Float Height	(C) Draft	(H) Total height	Float Volume	Total weight	Max. chain
<b>RBM25</b>	2.5 m	4.7 m	1.9 m	4.18 m	10.5 m	6.0 m <sup>3</sup>	1,892 kg	2,400 kg
<b>RBM25HV</b>	2.5 m	4.4 m	1.9 m	4.20 m	9.75 m	6.0 m <sup>3</sup>	1,947 kg	2,300 kg

\* Other volumes and heights available under request.



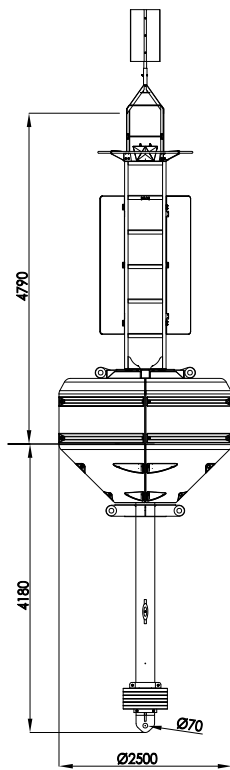
# RBM25

## ■ Versions

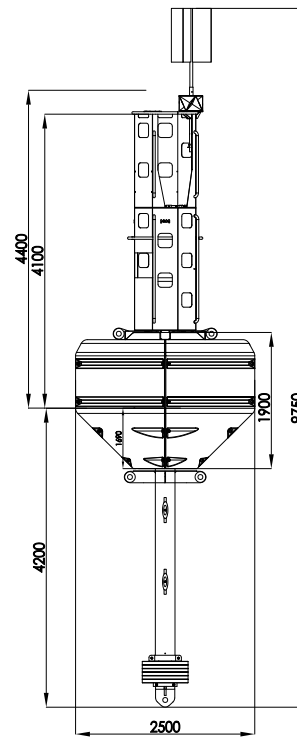
RBM25



RBM25HV



Región A



Región A

# RBM25

## Superstructure

<b>Material:</b>	Hot-dip galvanized steel.
<b>Coating:</b>	UV- and corrosion-resistant polyurethane paint.
<b>Day marks:</b>	GRP.
<b>Top mark:</b>	GRP, according to IALA Recommendation.
<b>Radar Reflector:</b>	10 m <sup>2</sup> (X band).
<b>Lifting eyes:</b>	2 nos.
<b>Hardware:</b>	Stainless-steel.

## Float

<b>Diameter:</b>	2.5 meters.
<b>Material:</b>	12 mm thickness rotomoulded virgin polyethylene.
<b>Filling:</b>	Closed-cell polystyrene (15 kg/m <sup>3</sup> ).

## Tail

<b>Material:</b>	Hot-dip galvanized steel.
<b>Ballast weights:</b>	Treated steel, detachable.
<b>Mooring eye:</b>	3 nos.
<b>Protection:</b>	Sacrifice anodes.

## Options

- Superstructure made from stainless-steel or marine aluminium.
- Top mark available in stainless-steel.
- High-visibility day marks.
- Cast-iron ballast weights.
- Closed-cell expanded polyurethane foam filling available under request.
- Short tail available.
- Other thicknesses available on request.



Specifications subject to change without previous notice.

