

RBM26

Rotomoulded polyethylene

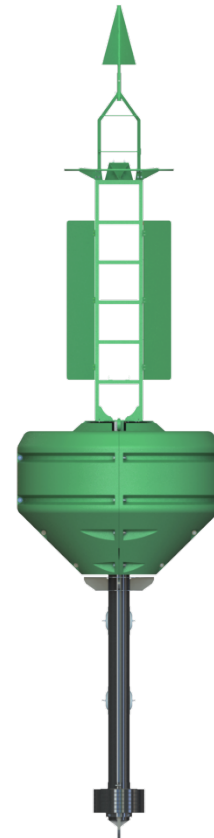
RBM26 polyethylene buoys are designed for both sheltered and open-sea waters, thanks to the large capacity of its float of 2.5 meters in diameter, in high-quality rotomoulded virgin polyethylene.

UV protection

Polyethylene includes the necessary pigment that provides the colour. UV filters guarantee a stable colour protection during its whole service life. To ensure its buoyancy, the float is filled with closed-cell expanded polystyrene foam.

Long service life

The floats are made up of several sections. Metallic buoy parts (superstructure and tail) made from hot-dip galvanized steel, and designed to provide a long service life under the harshest marine conditions. There are standard models with a short tail or high visibility frame, to meet the most specific markup needs. They can be customized under client's request.



Region A



Region A

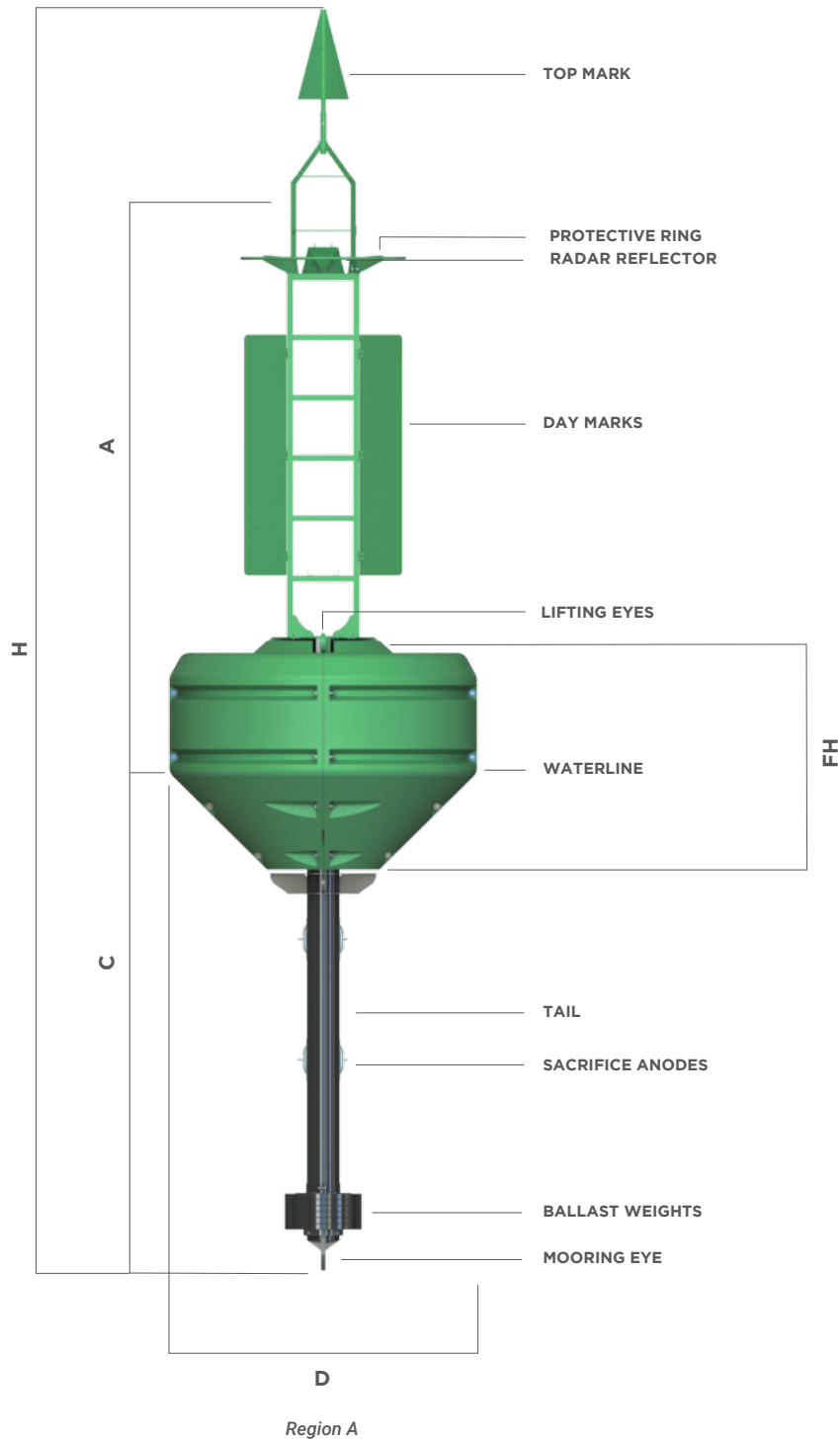
FEATURES

- Float made from high-quality rotomoulded virgin polyethylene, 12 mm thickness. Other thicknesses available on request.
- Float filled with closed-cell expanded polystyrene foam inside.
- Metallic parts from hot-dip galvanized steel
- Impregnated color in polyethylene.
- Chromaticity according to IALA Recommendations.
- Protection against ultraviolet rays.
- Compatible with a large variety of self-contained and marine LED lanterns.
- Top mark to increase the visibility of the buoy during the day.
- Passive radar reflector of 10 m² RCS.
- Stainless steel screws.
- Minimal maintenance.
- Designed according to IALA Recommendations.

RBM26

	(D) Float diameter	(A) Focal Height	(FH) Float Height	(C) Draft	(H) Total height	Float Volume	Total weight	Max. chain
RBM26	2.5 m	4.8 m	1.9 m	4.17 m	10.5 m	6.3 m ³	1,917 kg	2,500 kg
RBM26HV	2.5 m	4.5 m	1.9 m	4.16 m	9.75 m	6.3 m ³	1,973 kg	2,600 kg

* Other volumes and heights available under request.



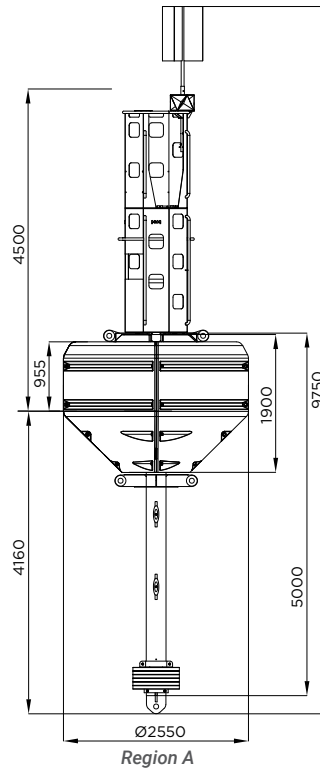
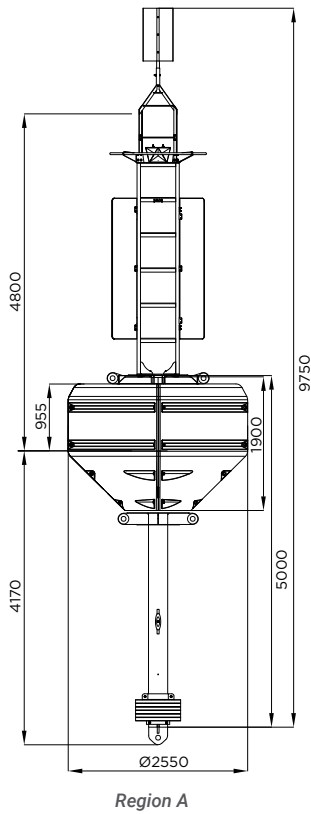
RBM26

■ Versions

RBM26



RBM26HV



RBM26

Superstructure

Material:	Hot-dip galvanized steel.
Coating:	UV- and corrosion-resistant polyurethane paint.
Day marks:	GRP.
Top mark:	GRP, according to IALA Recommendation.
Radar Reflector:	10 m ² (X band).
Lifting eyes:	2 nos.
Hardware:	Stainless-steel.

Float

Diameter:	2.5 meters.
Material:	12 mm thickness rotomoulded virgin polyethylene.
Filling:	Closed-cell polystyrene (15 kg/m ³).

Tail

Material:	Hot-dip galvanized steel.
Ballast weights:	Treated steel, detachable.
Mooring eye:	1 no.
Protection:	Sacrifice anodes.

Options

- Superstructure made from stainless-steel or marine aluminium.
- Top mark available in stainless-steel.
- High-visibility day marks.
- Cast-iron ballast weights.
- Closed-cell expanded polyurethane foam filling available under request.
- Short tail available.
- Other thicknesses available on request.



Specifications subject to change without previous notice.

