

RBM4

Frequency-agile Radar Beacon

The RBM4 is a latest-generation (frequency-agile) Radar Beacon, which works in the marine X and S radar bands, providing an important information to mariners under whatever meteorological conditions

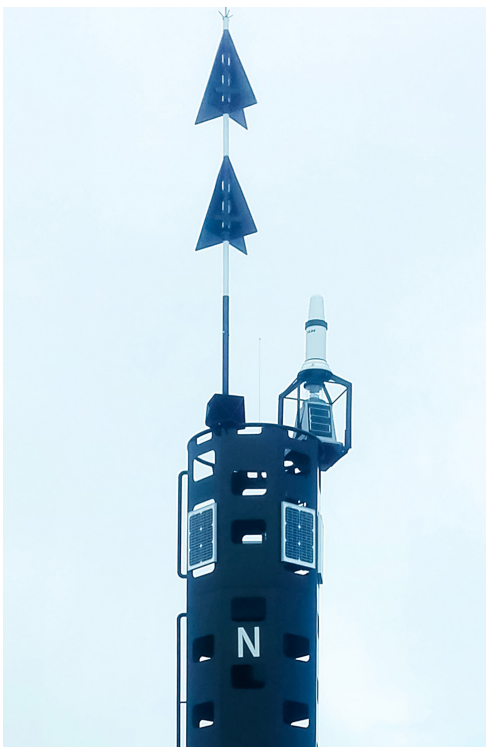
Advanced electronic technology

The RBM4 incorporates advanced electronic technology components of radar systems, applied to navigation aids, such as programmable logic and flexible circuit antenna assemblies.

User programmed Morse code

The Racon actively answers all active radars in the vicinity with a user programmed Morse code which identifies its location by appearing on the radar display.

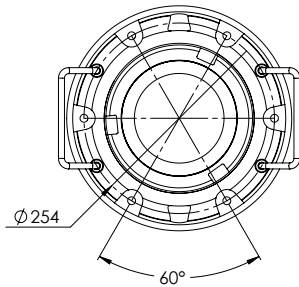
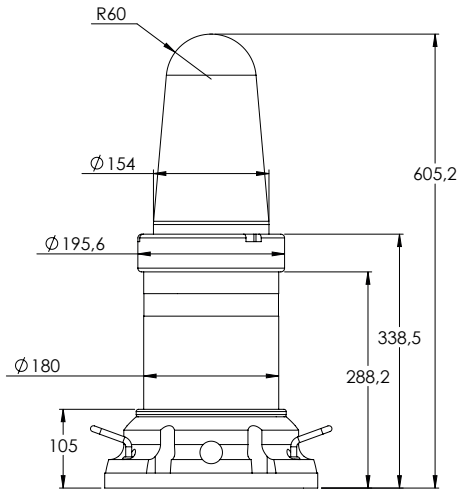
Designed according to IALA Recommendations and IMO Standards.



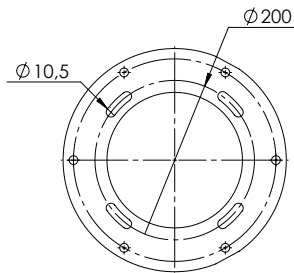
FEATURES

- Response on X and S bands.
- Advanced Side-Lobe Suppression system (SLS) to better discriminate the genuine pulses to be responded.
- The length of the Morse code response matches the display range setting by programming the duration of the answer according to the pulse length before installation.
- Transmitter power: 1 W in both bands.
- Configurable receiver sensitivity.
- Automatic response length.
- RS-232 communication serial port.
- Configuration via PC or APP Android (Tablet & Mobile).
- Wide power supply range.
- Low power consumption.
- Light weight.
- Transient over-voltage and reverse polarity protections.
- Maintenance free.

RBM4



Installation axis
(Standard)



Installation axis
(Adaptation base)

Specifications

| | |
|--|---|
| Response encoding: | A-Z, 0-9, SW-SE-NE-NW Morse codes, according IMO A530. |
| Output power: | Typical 1 W (X and S bands). |
| Response delay: | <700 ns (X and S bands). |
| Speed response (each band): | 10 KHz. |
| Azimuth response: | 360°. |
| Communications and programming: | RS-232 serial port. 3 nos. status logic outputs. 1 no. control logic input. |
| Programmable activity: | 0 a 60 segundos. |
| Programmable idle mode: | 0 a 60 segundos. |
| Side-Lobe Suppression (SLS): | Advanced. |
| Temperature range: | From -40° to +70°C. |
| Materials: | Aluminium and polyamide. |
| Watertightness degree: | IP 67. |
| Weight: | 14 kg. |
| Fixings: | 6 nos. Ø10 drill holes each 60° in a 254 mm diameter. |

Frequency range

| | |
|----------------|--------------------|
| X band: | 9,300 - 9,500 MHz. |
| S band: | 2,900 - 3,100 MHz. |

Receptor sensitivity (adjustable)

| | |
|----------------|----------|
| X band: | -50 dBm. |
| S band: | -50 dBm. |

Antenna

| | |
|-----------------------------|--|
| Gain: | ± 2 dB in X + S bands / 360° (horizontal). |
| Vertical divergence: | ± 3 dB in X + S bands / 15° (vertical). |

Polarisation

| | |
|----------------|--------------------------|
| X band: | Horizontal. |
| S band: | Horizontal and vertical. |

Power supply voltage

| | |
|---------------|----------------|
| Rango: | 9 to 36 V d.c. |
|---------------|----------------|

Power consumption

| | |
|------------------------------|---------------------------|
| Average nominal: | 120 mA @ 12 V (1.44 W). |
| Maximum (X+S): | 1,400 mA @ 12 V (16.8 W). |
| Idle: | 8 mA @ 12 V (0.01 W). |
| Duty cycle 50% (X+S): | 700 mA @ 12 V (8.4 W). |

Options

- Adaptation base, 200 mm diameter.
- Hoisting and transport handles.
- ATEX version.
- Interface module for remote monitoring.
- Configuration via App for Android.

Accessories

- Programming cable.
- Power cable.
- User manual.

! Specifications subject to change without previous notice.

