

## RRF

### Long range target detection

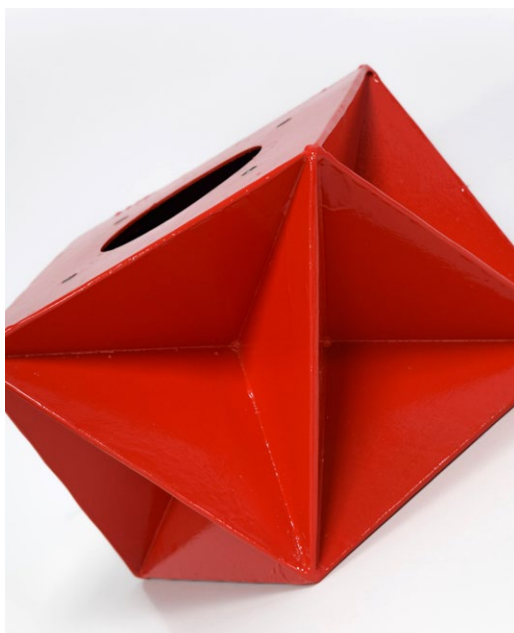
A radar reflector is generally installed as an additional device in locations that may also be marked with a light signal; being one of its main functions the detection of targets at a great distance, thus reducing the risk of collision of a vessel.

### Areas ranging projection from 8m<sup>2</sup> to 36m<sup>2</sup>

MSM has several models of radar reflector, indicated for use on buoys or fixed structures, and designed to ensure that their signal is displayed strongly on the vessel radar screens. These models project areas ranging from 8m<sup>2</sup> to 36m<sup>2</sup>.

### Eight overlapping spiral trihedrons

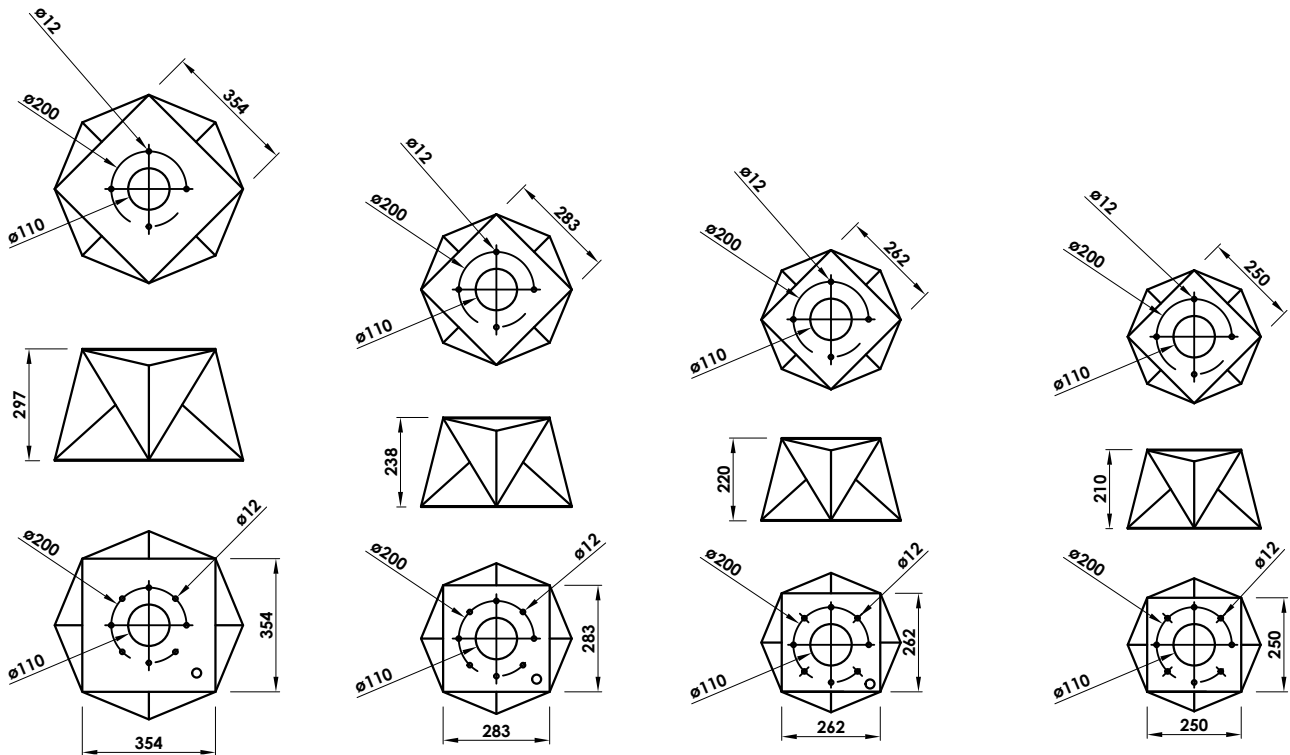
They are manufactured by using eight overlapping spiral trihedrons, producing a strong and persistent echo, thus covering 360°. Trihedral radar reflector is best suited for applications in floating aids and in situations where there is considerable difference between the height of the radar reflector and the one from vessels passing through the area.



## FEATURES

- *Trihedral design.*
- *Display of aids to navigation on the radar screen to reduce risk of collision.*
- *Strong "return" on radar screens.*
- *Improves detection under harsh weather conditions.*
- *Effective echo response.*
- *Echo equivalent surface (RCS) from 8 to 36 m<sup>2</sup>.*
- *360° coverage.*
- *Its design of double trihedral group maximises echo in any orientation and tilt.*
- *Structure made from hot-dip galvanised or stainless steel.*
- *Polyurethane paint, UV resistant.*
- *Fixing to buoy or structure with 4 nos. M10 bolts.*
- *Standard fixing to the beacon.*

# RRF



! Specifications subject to change without previous notice.

## RRF

Other designs available under request.

MODELO	RRF05	RRF07	RRF08	RRF10	RRF15	RRF30
RCS (m <sup>2</sup> )	5	7	8	10	15	36
Weight (kg)	9.5	10.9	11.3	12.5	14.6	23
Fixings (mm):	Upper	8x200				
	Lower	4x200				
Base (mm)	230x230	244x244	250x250	262x262	283x283	354x354