

TGP

Small GRP Towers



Mediterraneo's TGP pyramidal-shape towers are small towers especially engineered to incorporate compact self-contained lanterns and marine flashing beacons fitted with solar power system for short and medium range beaconing applications.

They are manufactured from GRP (Glass Reinforced Polyester). Colour is impregnated in the raw material, this way the tower colour remains unaltered, not needing to be repainted eventually. They can be painted to serve as a good day mark, according to IALA Recommendations.

They incorporate protection ring and beacon support. These accessories are made from AISI 316L stainless steel.

These small towers can be supplied dismantled or fully assembled, ready for their installation in site with anchoring bolts.

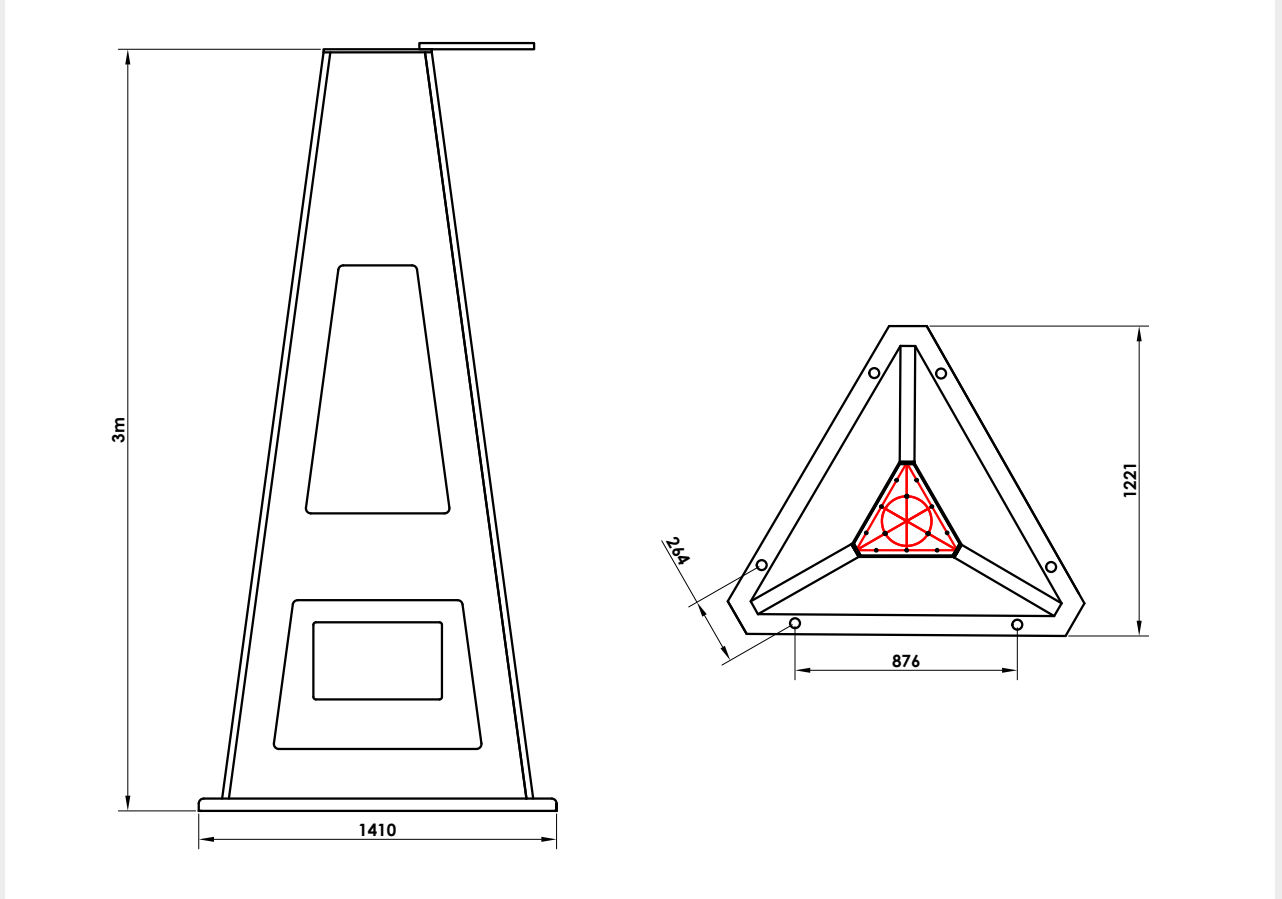
Features:

- Manufactured from glass reinforced polyester (GRP).
- Colour impregnated in the GRP.
- Tower height of 3 m, focal height up to 4.2 m.
- Easy assembly due to its modular architecture.
- Watertight, with possibility to house batteries and control equipment inside, as an option.
- Tower accessories made from AISI 316L stainless steel (protection ring and beacon support).
- Wind speed up to 180 kph.
- Fixing by anchoring bolts.
- Provided with template for accurate anchor bolt positioning.
- Designed according to IALA Recommendations.
- Aluminium movable ladder to access the lantern.



Specifications subject to change without previous notice.

TGP



MODEL	MATERIAL	FOCAL HEIGHT	WIND SPEED	WEIGHT
TPG 30	Glass reinforced polyester (GRP)	3.5 m	180 km/h	100 kg

Opciones

Solar module supports.

Beacon support of 4.2 m focal height.

Housing for battery and solar regulator, with safety lock.



Mediterráneo Señales Marítimas, S.L.
 Pol. Ind. Mas de Tous - C/ Oslo 12
 46185 La Pobla de Vallbona - Valencia SPAIN
 +34 96 276 10 22
 msm@mesemar.com
 www.mesemar.com

